

# Intellian® i9

**Most Powerful Marine Satellite TV antenna System for Big Vessels & Super Yachts**



**Intellian® i9** The powerful satellite TV antenna system is ideal for both recreational and commercial vessels over 80 feet, cruising across the nations. Intellian i9 makes the fastest, steadiest and the most reliable satellite reception possible even in the far ocean with the roughest marine weather condition.

- *All-in-one system for International Coverage Conversion*
- *Wide Range Search & Dynamic Beam Tilting Technology*
- *Most Powerful Performance and Reliability*
- *Seamless Viewing (Automatic Satellite Switch) of All DirecTV's Ku-band Channels. Available with MIM (Multi-satellite Interface Module) – US Only*

For more information, visit [www.intelliantech.com](http://www.intelliantech.com)

**HDTV**  
COMPATIBLE



### Most Powerful Performance

34 inch dish diameter with national coverage for Americas, Europe and the regional service around the global.

### All-in-one System

Built-in high performance Auto Skew Angle Control System and GPS system, provided as default option, allows i9 to have enhanced signal receptions in weak satellite signal coverage areas and have accuracy and easy operation wherever the vessel sails.

### Faster Signal Acquisition

Intellian's exclusive Wide Range Search (WRS) algorithm allows antenna to search, find and lock on to a signal with incredible speed and accuracy.

### A Firm Hold on the Signal

Dynamic Beam Tilting (DBT) uses a high performance, constantly adjusting sub-reflector which allows the antenna to remain relatively still, eliminating the constant whine of stepper motors while providing clear reception while the boat is in motion.

### Tune in Your Favorite HDTV Channels

Intellian i9 will provide reception of HD channels on the Ku-band. The HD module is actually built-in to the Antenna Control Unit of the Intellian i9 for seamless integration and easy installation.

### Built-in GPS

Built-in high performance GPS system, provided as default option, allows i9 to have higher accuracy and easy operation wherever the vessel sails.

### User-friendly Operation

Antenna Control Unit (ACU), which is supplied as a default package, gives you the user-friendly operation for various function

**Intellian**  
**Technologies®**  
Communicate Smarter

# Intellian® i9

**Most Powerful Marine Satellite TV antenna System for Big Vessels & Super Yachts**

## Key Features

### Fully Automated System

Automatic satellite search and identification  
2-axis step motor for manipulating the pedestal

### Enhanced Antenna

High efficiency parabolic antenna  
RHCP/ LHCP, Vertical/ Horizontal polarization

### Fastest Search Algorithm

Wide Range Search(WRS) algorithm  
Statistical search algorithm

### Superior Dynamic Tracking

Dynamic Beam Tilting (DBT) by rotating sub-reflector

### DVB Signal Identification

High speed identification applying DVB Decoder with CPLD  
QPSK Demodulator Lock for DSS Signal

### New type Antenna Control Unit

Easy satellite information change and update  
Easy antenna status check and automatic diagnosis  
Easy antenna control using PC interface with USB cable

### Built-in Auto Skew Angle Control System

The embedded high performance Auto Skew Angle Control System allows for the system to always maintain the optimal signal strength

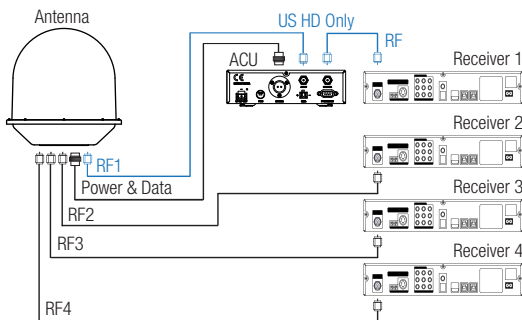
### Built-in GPS System

The embedded high precision GPS system accelerates the speed of satellite signal acquisition time significantly

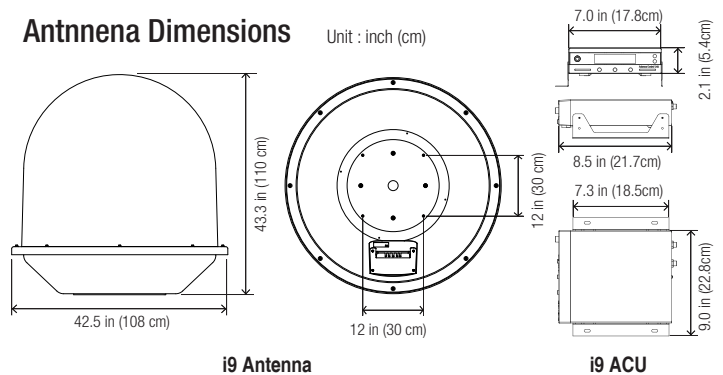
## Technical Specifications

Part #	Specifications
B2-914S	Intellian i9 Satellite TV Antenna System (US)
B2-910Q	Intellian i9 Satellite TV Antenna System (Europe)
Physical	
Radome Height	43.3in (110 cm)
Radome Diameter	42.5in (108 cm)
Antenna Dish Diameter	33.5 in (85 cm)
Weight	121.2 lbs (55 kg)
Environmental	
Operating Temp. Range	-13°F to +131°F (-25°C to +55°C)
Storage Temp. Range	-22°F to +158°F (-30°C to +70°C)
Water Ingress	IPX6
Approvals	CE / FCC
Warranty	2-Year Parts and 1-Year Labor
Performance	
Reception Frequency	Ku-band (10.7~ 12.75GHz)
Polarization	RHCP/ LHCP, Vertical/ Horizontal
Minimum EIRP	44 dBW
Azimuth Range	680°
Elevation Range	-15° to +90°
Ship's Motion	Roll +/-25°, Pitch +/-15°
Roll & Pitch Response Rate	30° / Second
Turn Rate	30° / Second
RF Outputs	Dual/ Quad Output
Antenna Control Unit	
Dimensions (WxDxH)	7.0 in x 8.5 in x 2.1 in ( 17.8cm x 21.7cm x 5.4cm )
Weight	2.6 lbs ( 1.2kg )
Display	2 Line 20 Character VFD Module
Control Key	5 Integrated Push Buttons
Power Input	DC 10.8 ~ 15.6V ( Typ. 30W, Max. 50W )
GPS Interface	Built-in (NMEA0183 GPS)

## System Diagram



## Antenna Dimensions



**Intellian Technologies®**  
Communicate Smarter  
ISO 9001 Certified

**US Headquarters**  
Americas Region

Intellian Technologies USA, Inc.  
Parker Irvine Business Center  
19 Hammond Suite 509  
Irvine, CA 92618 USA  
Tel +1-949-916-4411  
Toll Free +1-888-201-9223  
Fax +1-949-271-4183  
Email info@intelliantech.com

**Headquarters**  
EMEA & APAC Region

Intellian Technologies, Inc.  
7th Floor, Dongik Building  
Nonhyundong, Kangnam-gu  
Seoul 135-010, South Korea  
Tel +82-2-515-4923  
Fax +82-2-515-4903  
Email info@intelliantech.com

For more info, visit [intelliantech.com](http://intelliantech.com)