

# RUGGED.

DOCKING STATIONS AND VEHICLE MOUNTS

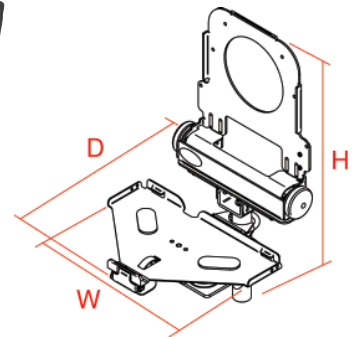


## Motorola MW800/MW810 Pedestal Mounting Solution

Tilt	Swivel	Weight	Height	Width	Depth
<ul style="list-style-type: none"><li>- Display can be tilted up to 45° forward/10° back toward the dash</li><li>- Keyboard can be tilted down to 90°</li></ul>	<ul style="list-style-type: none"><li>- Display can swivel 10° toward the driver or passenger</li></ul>	18.0 lbs	6.8"	14.0"	6.25"

### Features

- The display can easily be tilted forward up to 45° or back toward the dash 10°
- Display and Keyboard can be adjusted up/down for optimal positioning
- *CPU Side-Mounting Bracket* (Item No. 7160-0072) can be used (ordered separately)
- Keyboard articulating arm has 180° range of motion & can be pulled out to position the keyboard for easier typing
- Keyboard mount can be tilted down for typing comfort and allows the keyboard to be quickly removed and inserted
- 3 year limited warranty
- Can be inserted into any Gamber-Johnson *Lower Tube* or **Vehicle Base** that has a welded lower tube (ordered separately)
- Heavy gauge steel construction for long-term durability
- Black powdercoat finish for maximum corrosion resistance



Item No. **7160-0077**



 **GAMBER  
JOHNSON**<sup>®</sup>  
Very Well Connected<sup>™</sup>

3001 Borham Ave  
Stevens Point, WI 54481  
Phone: 800-456-6868  
Fax: 715-344-8845

Email: [gamberj@gamberjohnson.com](mailto:gamberj@gamberjohnson.com)  
Website: [www.gamberjohnson.com](http://www.gamberjohnson.com)