

# RUGGED.

## DOCKING STATIONS AND VEHICLE MOUNTS



## Panasonic CF18/19 Ashtray In-Dash Solution

### Components

- In-dash mounting bracket, Panasonic CF18/19 dock/cradle mounting bracket, keyboard arm and universal mount

### Order Separately

- The Toughbook CF18/19 Docking Station or Cradle is not included and needs to be ordered separately
- The In-Dash Mounting Solution **must be supported** by either the *Ergonomic Box* (Item No. MCS-ERGOBOX12) which provides additional radio mounting space or the *In-Dash Leg Support Assembly Brackets* (Item No. NP-PDRC-KITS) both are ordered separately

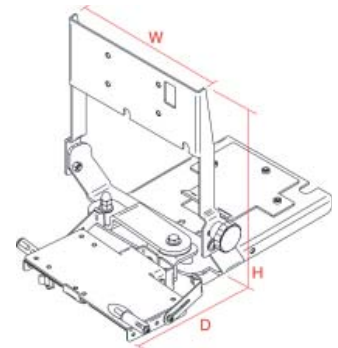
Tilt	Weight	Height	Width	Depth
The display can be tilted forward up to 120° from the dashboard	18.8 lbs	11.5" (entire mounting system will determine overall height)	12.0"	13.0" to 19.0"

### Features

- Design doesn't obstruct HVAC controls and provides easy access to the AM/FM radio & the trunk release button
- In-dash design attaches to the frame of the vehicle for system strength
- Display can tilt up to 120° forward from the dashboard and can be swiveled 15° toward the driver or passenger
- Keyboard arm can extend the keyboard 8" toward the driver or passenger and can be swiveled up to 180°
- Keyboard mount allows for fast removal and insertion of the keyboard
- Display and keyboard can be offset toward the passenger side creating more room for the driver
- You must order separately the Toughbook 18/19 Docking Station or Cradle
- 3 year limited warranty (printed circuit board, docking connector and all sheet metal)
- Heavy gauge steel construction for long-term durability
- Black powdercoat finish for maximum corrosion resistance



Shown with  
MCS-ERGOBOX12



Item No. **7160-0092**



3001 Borham Ave  
Stevens Point, WI 54481  
Phone: 800-456-6868  
Fax: 715-344-8845

Email: [gamberj@gamberjohnson.com](mailto:gamberj@gamberjohnson.com)  
Website: [www.gamberjohnson.com](http://www.gamberjohnson.com)