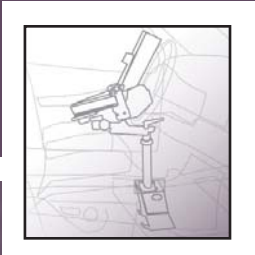


RUGGED.

DOCKING STATIONS AND VEHICLE MOUNTS

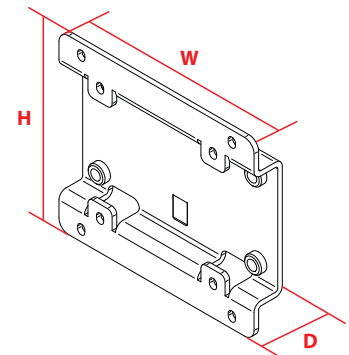


VESA Interface Plate

Placement	Weight	Height	Width	Depth
Between any Screen with a 75 or 100 VESA hole pattern and Gamber-Johnson Motion Attachment (Item No. CLEVIS 0-90) or directly mounted onto wall	0.92 lbs	4.50"	5.10"	0.74"

Features

- Heavy gauge steel construction for long-term durability
- Black powdercoat finish for maximum corrosion resistance
- Compatible with screens that utilize the 75 and 100 VESA hole pattern and allows you to attach the Gamber-Johnson standard hole pattern
- Interface plate can be mounted to flat surfaces
- Built-in cable restraint tie for service loops
- Interface plate includes pem's for easy installation



Item No. **7160-0206**



3001 Borham Ave
Stevens Point, WI 54481
Phone: 800-456-6868
Fax: 715-344-8845

Email: gamberj@gamberjohnson.com
Website: www.gamberjohnson.com