

# INSTALLATION INSTRUCTIONS

## Product

**PDRC PEDESTAL MOUNT**

**7160-0218**

## Revision

**Rev.D**

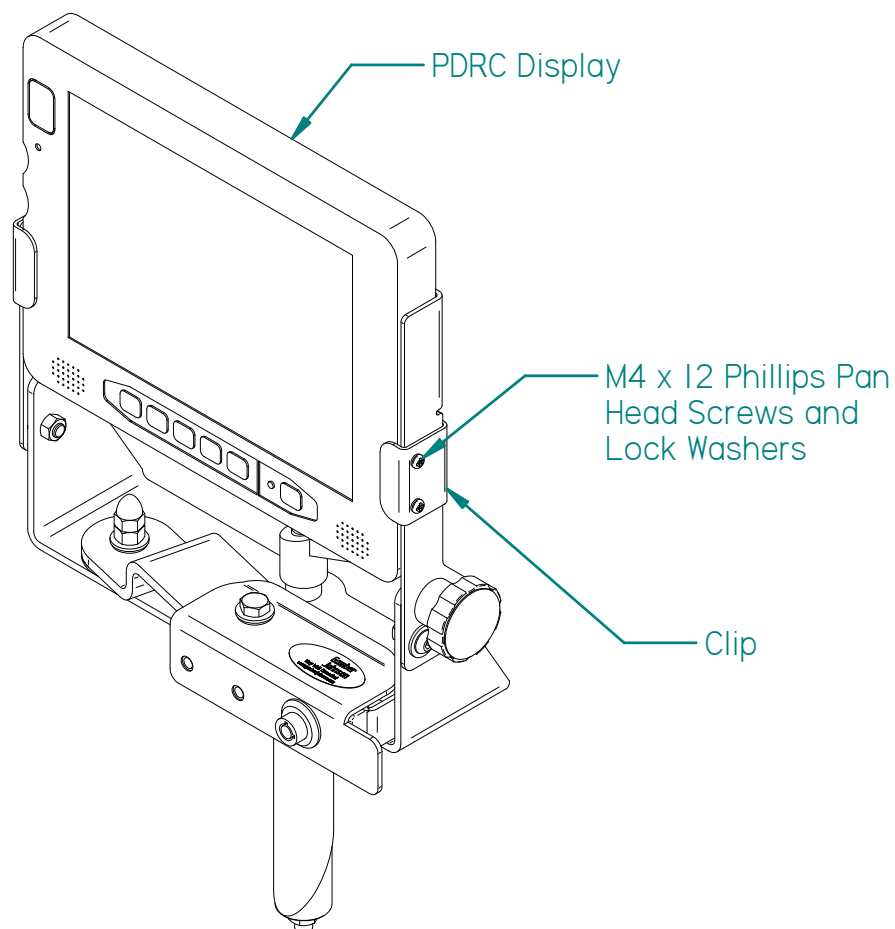
## Form #

**INST-195**

The Panasonic PDRC pedestal mount will attach to any Gamber-Johnson lower pole or vehicle base with a welded pole. Instructions for installing the DS or MCS base for your vehicle are supplied with each specific base. The following instructions give details on the assembly and use, specific to the PDRC mount and are not found in other Gamber-Johnson instruction sheets.

### Attaching the Display:

1. The display is attached to the display bracket using (2) clips and (6) M4 x 12 phillips pan head screws and lock washers that were provided in hardware bag 7120-0235.



#### Product Mounting Disclaimer

Gamber-Johnson is not liable under any theory of contract or tort law for any loss, damage, personal injury, special, incidental or consequential damages for personal injury or other damage of any nature arising directly or indirectly as a result of the improper installation or use of its products in vehicle or any other application. In order to safely install and use Gamber-Johnson products full consideration of vehicle occupants, vehicle systems (i.e., the location of fuel lines, brakes lines, electrical, drive train or other systems), air-bags and other safety equipment is required. Gamber-Johnson specifically disclaims any responsibility for the improper use or installation of its products not consistent with the original vehicle manufactures specifications and recommendations, Gamber-Johnson product instruction sheets, or workmanship standards as endorsed through the Gamber-Johnson Certified Installer Program.

If you need assistance or have questions, call Gamber-Johnson at 1-800-456-6868

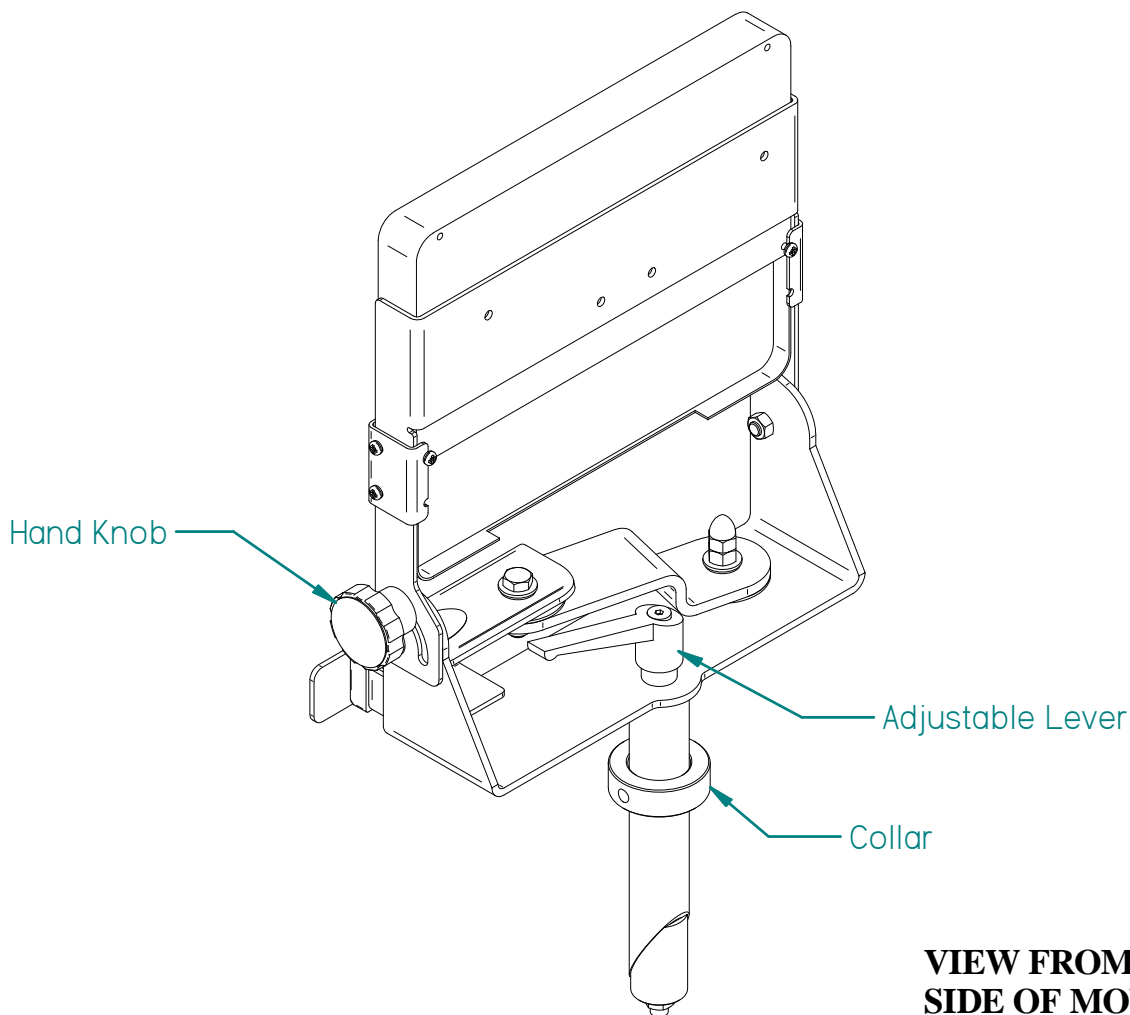
## **Height, Swivel, and Tilt Adjustment of the Display:**

A collar has been provided so you can set the mount to your required height. To adjust the collar, loosen the socket head set screw which compresses the collar to the upper portion of the pole. Move the collar up or down on the pole to achieve the required height, and re-tighten the set screw.

An adjustable lever controls the side-to-side swivel of the display. The lever locks the location of the display, when turned clockwise. When turned counter clockwise, the lever loosens a clamp in the lower tube which allows the mount to be swiveled.

The lever can be repositioned in the mount for easier use or access by:  
Turning the lever clockwise to lock the mount, pulling upward on the body of the lever, and rotating the lever to the desired position and releasing the lever body.

The display can be tilted toward or away from the user by loosening the hand knob on the side of the mount, tilting the display to the desired location, and re-tightening the hand knob.



### Attaching the Keyboard Tray:

Attach the keyboard tray to the display assembly with the 1/4" bolts and flat washers that were supplied with the keyboard tray. Once complete attach the Cover Bracket (found in the hardware bag) to the keyboard tray with the #6-32unc machine screws that were also supplied in the hardware bag.

### Latching the keyboard in place:

To latch the keyboard tray in place, push the tray back against the mount until the latch engages the mating hole on the display assembly. While applying pressure against the front of the keyboard tray, rotate the keyboard assembly to the right side to ensure the latch mechanism has been fully engaged. You should hear an audible click when the latch engages the display assembly.

To unlatch the keyboard arm, push and hold the latch button while pulling outward on the right side of the latch bracket. Pull the keyboard tray into the desired position for use.

Gamber-Johnson recommends stowing the keyboard tray in the latched position during vehicle operation. Two lock keys have been provided in case the end user wants to lock the keyboard arm in place.

