

INSTALLATION INSTRUCTIONS

<u>Product</u>	<u>Revision</u>	<u>Form #</u>
MONGOOSE LOCKING SLIDE ARM 7160-0219 & 7160-0220	Rev. A	INST-451



- You must read and follow all of these installation instructions. Failure to follow all of these installation instructions may result in serious bodily injury or death.
- Do not install or use the Mongoose Locking Slide Arm in the area in which the airbag on the vehicle will be deployed if it is activated. The installer and user of the Mongoose Locking Slide Arm are responsible for installing and using the Mongoose Locking Slide Arm outside the area in which an airbag will be deployed if activated. (See Product Mounting Disclaimer Below)
- Keep these installation instructions with the product and readily available in the vehicle for future reference of other users of the product.
- Additional copies of the installation instructions can be obtained from Gamber-Johnson. If you need assistance or have any questions, call Gamber-Johnson at 1-800-456-6868.

Installation:

The Mongoose Locking Slide Arm mounts directly to a Center Upper Pole or other type of mounting equipment that contains a Gamber-Johnson swivel pattern cutout.

To mount on a Center Upper Pole or other type of mounting equipment that contains a Gamber-Johnson swivel pattern cutout, set the arm on the mount so the 1/4-20unc studs protrude through the curved cutouts. Two studs should protrude through one of the cutouts and one stud should protrude through the opposite cutout. Attach with the flat washers and lock nuts that are provided in the hardware bag. (See Figure 1.)

Product Mounting Disclaimer

Gamber-Johnson is not liable under any theory of contract or tort law for any loss, damage, personal injury, special, incidental or consequential damages for personal injury or other damage of any nature arising directly or indirectly as a result of the improper installation or use of its products in vehicle or any other application. In order to safely install and use Gamber-Johnson products full consideration of vehicle occupants, vehicle systems (i.e., the location of fuel lines, brakes lines, electrical, drive train or other systems), air-bags and other safety equipment is required. Gamber-Johnson specifically disclaims any responsibility for the improper use or installation of its products not consistent with the original vehicle manufactures specifications and recommendations, Gamber-Johnson product instruction sheets, or workmanship standards as endorsed through the Gamber-Johnson Certified Installer Program.

If you need assistance or have questions, call Gamber-Johnson at 1-800-456-6868

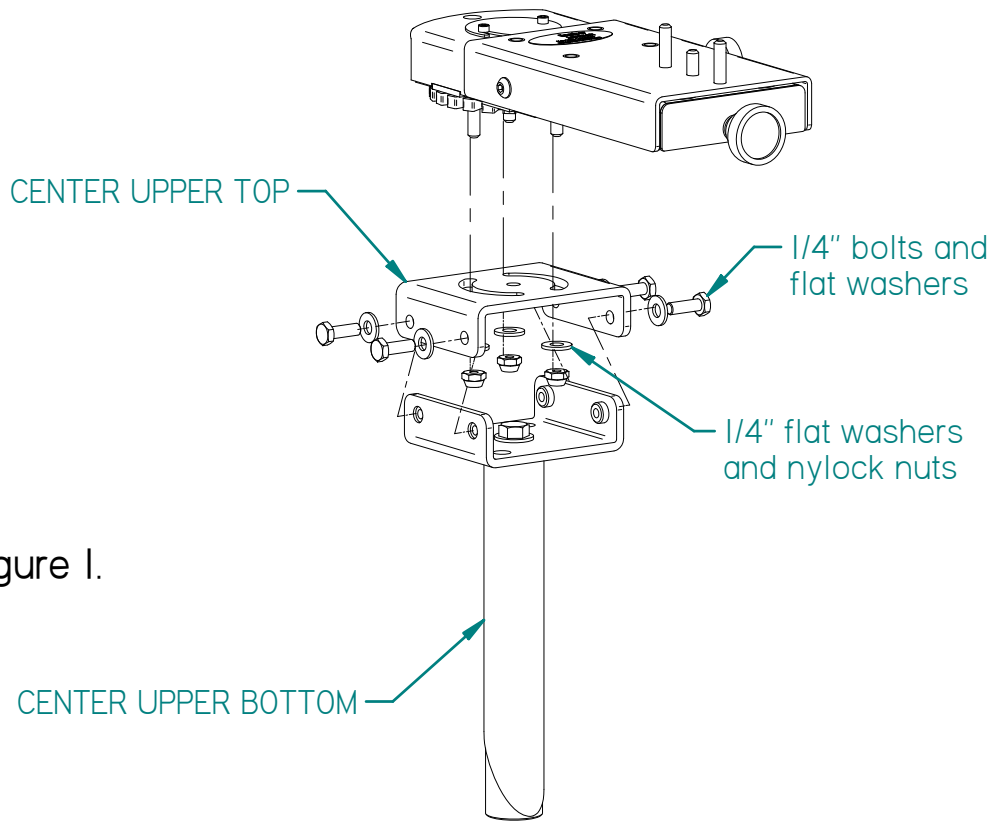


Figure 1.

Attaching a DS-Clevis to the Mongoose Locking Slide Arm 7160-0119:

A DS-Clevis can be added to the (7160-0119) Mongoose Locking Slide Arm. To attach remove the bearing and bearing backup plates from the clevis. Place one of the bearing backup plates on the three pressed in 1/4" studs protruding from the slide plate. Next place the clevis assembly over the studs protruding from the slide plate. Third place the remaining bearing and bearing backup plate over the protruding studs on the slide plate. Attach the clevis in place with (2) 1/4" flat washers and nylok nuts that were removed when you first removed the bearings from the original clevis configuration. Tighten the nylok nuts until the desired friction is obtained for the rotation of the clevis. (See Figure 2)

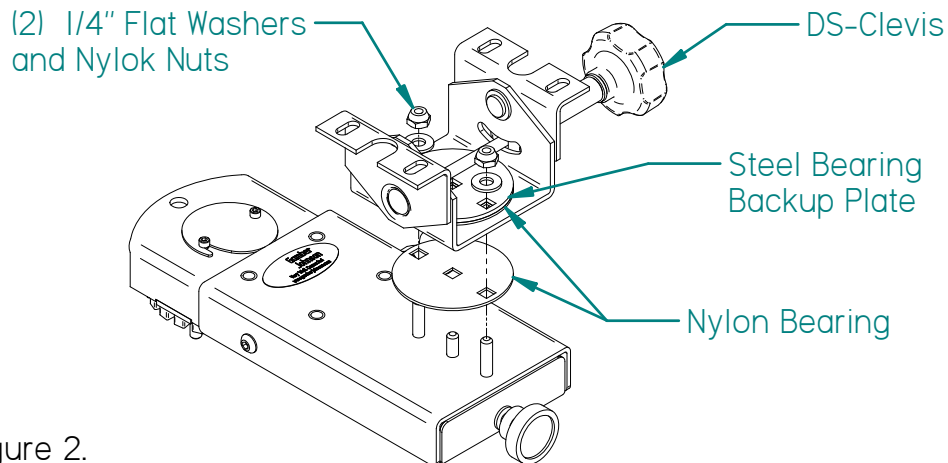


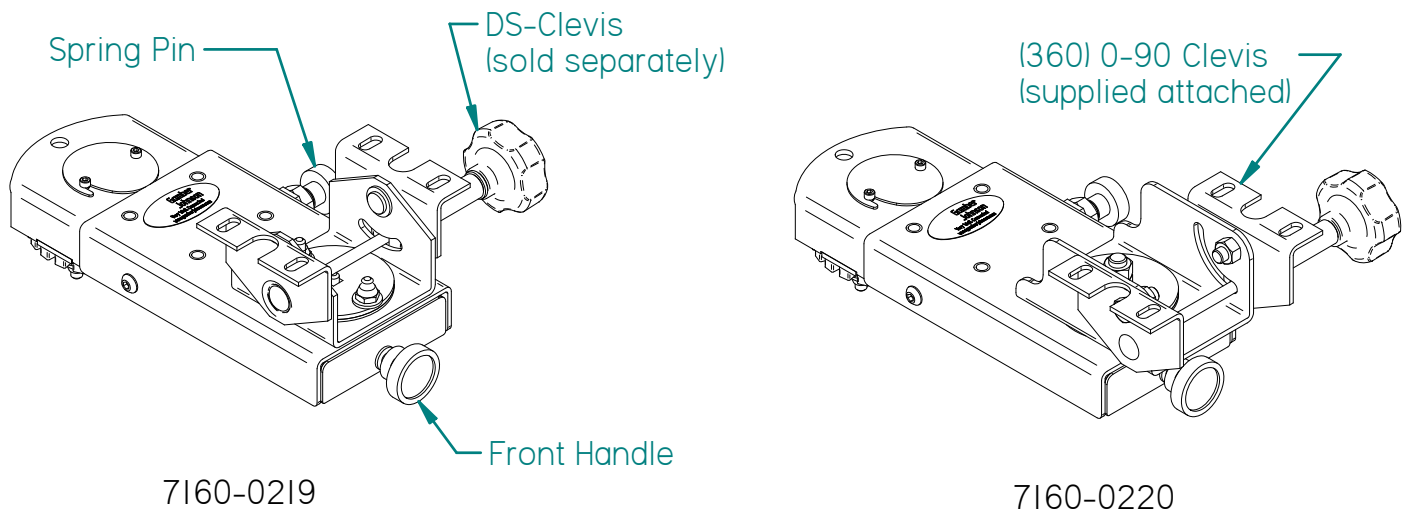
Figure 2.

How to use the Mongoose Locking Slide Arm:

The Mongoose Locking Slide Arm is designed to accommodate four motions of adjustment. The first being a 360 degree swivel that is actuated by the front lever. Pulling out on the lever releases the gear latch located in the base and allows the mount to swivel. To latch the arm in place, position the arm in the desired location and release the spring loaded lever. Wiggle the arm back and forth to make sure the lever has engaged the teeth on the gear.

The second motion is the slide. To actuate the slide, pull out and hold the spring loaded pin. Pull the mount along the slide a minimum of 1/2" before releasing the pin to ensure the mount does not latch back in the stowed position. Once you have released the pin, pull forward on the mount until it is located in the desired position. The third motion is the clevis swivel. The clevis can swivel 120 degrees (60 deg. left and 60 deg. right) for assembly 7160-0219 and 360 degrees for assembly 7160-0220. The fourth motion is the clevis tilt. The amount of clevis tilt will depend on the type of Mongoose Locking Slide Arm that was purchased. 7160-0219 can tilt 30 degrees forward and 30 degrees backward for a total of 60 degrees when used with a DS-Clevis or it can tilt 90 degrees when using a 0-90 Clevis. 7160-0220 only tilts in one direction. 7160-0220 comes complete with a 360 degree 0-90 type Clevis.

Note: Do not use this product if either latch mechanism is disabled or missing. The product should be out of the airbag zone with the slide in the latched position when the vehicle is in use.



⚠ WARNING ⚠

- The Mongoose Locking Slide Arm and upper level equipment should not be positioned in the area where the airbag will be deployed if it is activated. DO NOT position the equipment in front of an airbag. Equipment positioned in front of an airbag can cause serious injury or death if an airbag was activated, such as in an accident.
- If installation of the equipment requires that the equipment be placed in front of an airbag, deactivate the airbag in the vehicle so it cannot be activated in an accident. In order to secure permission for deactivating the airbag in these circumstances, contact the National Highway Traffic Safety Administration at 1-800-424-9393 to gain permission to do so. If you have any questions or need assistance, call Gamber-Johnson at 1-800-456-6868.