

KODEN

8-inch Color LCD
Plotter Sounder

CVG-80

Best Performance



MAX
C-MAP NT

*Innovative Plotter/Sounder features versatility,
performance and easy operation*

FEATURES

Best performance

The CVG-80 is compact in size and boasts the best performance in the 8-inch class of plotter/sounders.

Easy installation & easy flush mount

It is easy to install either hanging or flush mount. With built-in flush mounting system, it is possible to screw in through the corners of the front display, therefore any other installation devices such as a mounting kit are not required.

Plotter functions

A built-in C-map NT MAX worldwide base map (2 MB) is included as standard.

Plenty of display modes

Variety of 13 types of menus such as plotter, sounder, plotter + sounder, compass and highway in the screen display. You can choose the appropriate display mode depending upon your needs.

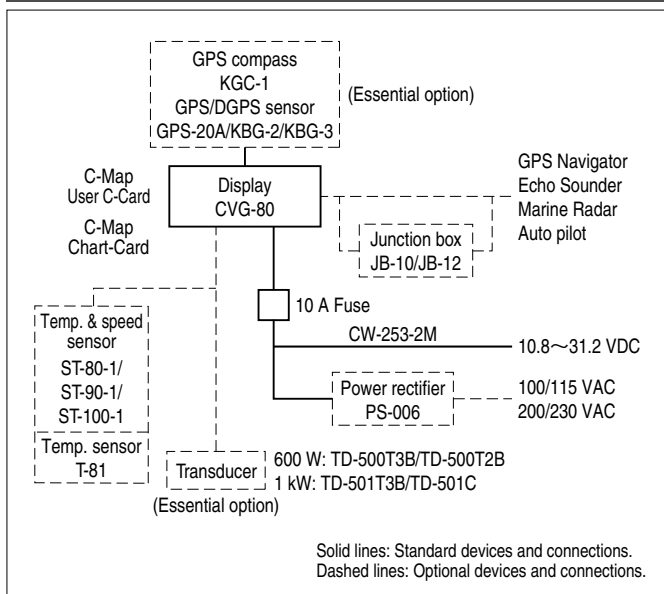
Usable information with marks

The depth or temperature of water can be recorded with marks. This detailed information will be great help to recall the good spots.

EQUIPMENT LIST

Standard equipments	Display unit with hard cover, Hood, Mounting bracket and Fixing knobs	1 set
	DC power cable, Installation material, Spare parts, Accessories and Operation manual	1 set
Essential options	GPS sensor, DGPS sensor or GPS compass, Transducer	
Options	Temp. & speed sensor, Connection cable for external device, Inner hull kit, Junction box, Power rectifier, AC power cable, Receiving antenna support fitting, Connector for other models	

CONNECTIONS



SPECIFICATIONS

General

Display	8 inch color TFT LCD (480 x 640 pixels)
Display modes	Plotter, Sounder (Single/Dual presentation), Plotter + Sounder (Vertical/Horizontal split presentation), Compass and Highway
Power supply	10.8 to 31.2 VDC
Power consumption	40 W or less (at 24 VDC)
Water protection	IPX5

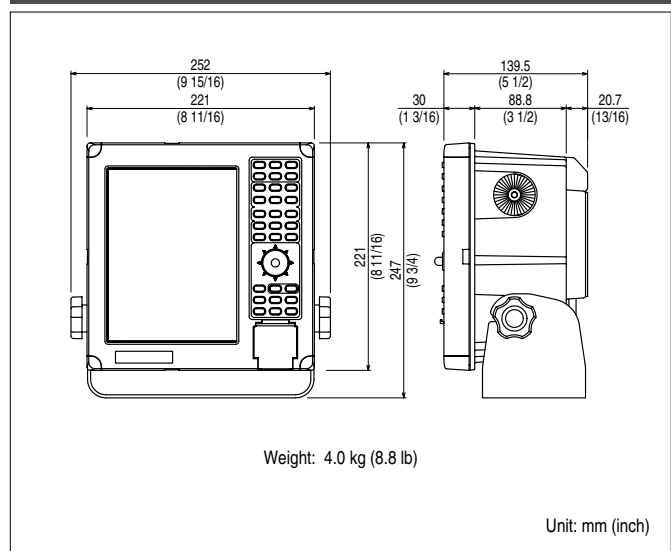
Sounder Function

Output power	600 W or 1 kW
Presentation color	16 colors (Color palette can be changed) / Background: 9 colors
Frequency	Dual 50/200 kHz
Depth ranges	5 to 1200 (Meter / Fathom / Italian Fathom) 10 to 4000 (Feet)
Image shift	Auto or Manual 0 to 3000 (Meter / Fathom / Italian Fathom) 0 to 8000 (Feet)
Presentation modes	N: Normal (incl. Shift) Z: Zoom (Bottom lock, Bottom discrimination and Zoom) B.Z: Bottom zoom
Audible alarms	Fish alarm and Depth alarm
Image speed	Fixed 11 speed (4/1, 3/1, 2/1, 1/1, 1/2, 1/3, 1/4, 1/6, 1/8, 1/12, 1/16) and stop
Auto functions	Depth range, Shift and Gain

Plotter Function

Presentation modes	Head up, North up, Course up, Own ship center fixed mode, 3 fix scale and Other ship plot mode with ATA
Effective projection area	0.01 to 3600 nm (near the equator)
Plot interval	1 to 600 sec. or 0.01 to 10 nm
Map projection	Mercator
Usable area	80 degree latitude or below
Memory & storage capability	Track: 2000, 4000, 7000 x 7 blocks Mark (waypoint): 8300 points Route: 50 routes with 50 points Graphics: 500 points x 7 blocks Other ship's track: 1000 points x 10 targets
Audible alarms	Arrival, POB and Cross track error
Chart	C-Map NT / NT+ / NT MAX

DIMENSIONS AND WEIGHT



• Design and specifications are subject to change without notice.

KODEN Kodon Electronics Co., Ltd.

Tamagawa Office:
2-13-24 Tamagawa, Ota-ku, Tokyo, 146-0095 Japan
Tel: +81-3-3756-6501 Fax: +81-3-3756-6509

Uenohara Office:
5278 Uenohara, Uenohara-shi, Yamanashi, 409-0112 Japan
Tel: +81-554-20-5860 Fax: +81-554-20-5875

overseas@koden-electronics.co.jp

www.koden-electronics.co.jp



Safety precaution

To ensure proper and safe use of the equipment, please carefully read and follow the instructions in the Operation Manual.

For details, please contact: