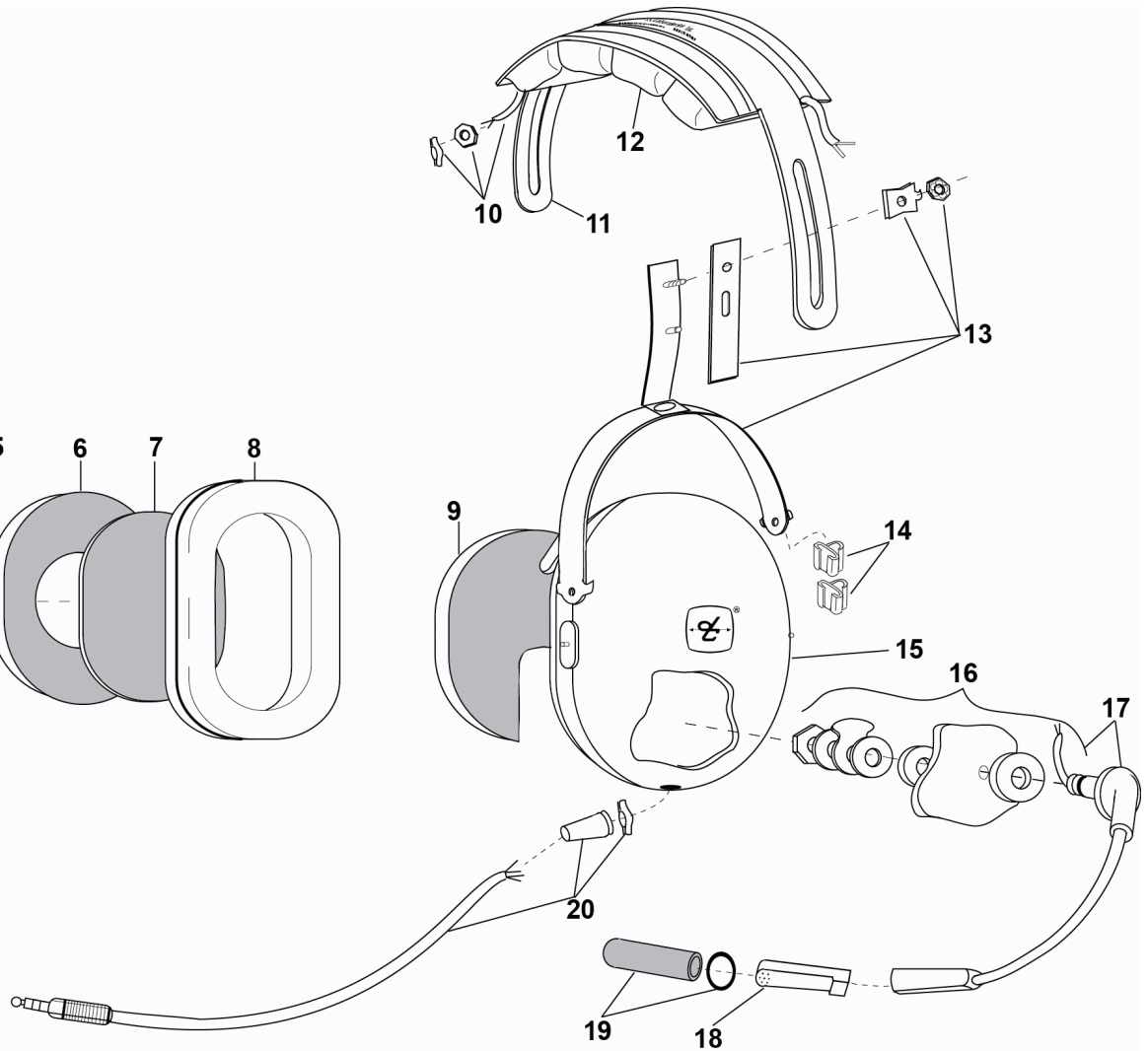
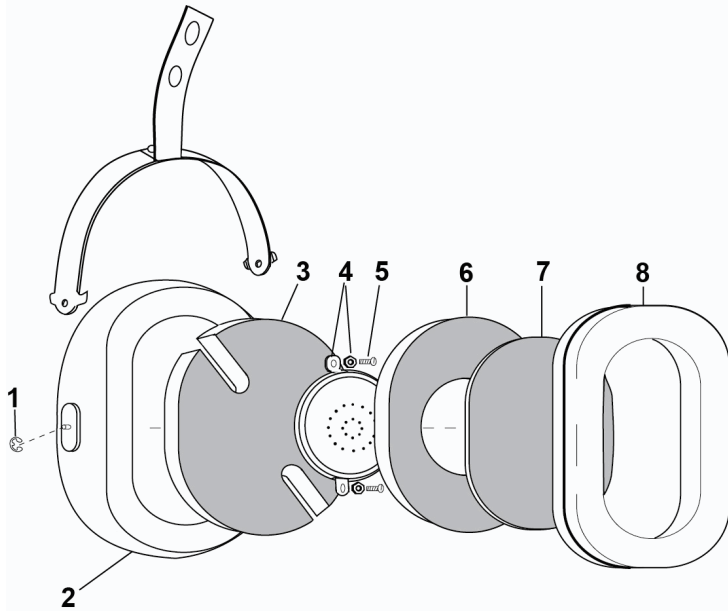




David Clark COMPANY INCORPORATED

360 Franklin Street, Box 15054, Worcester, MA 01615-0054
TEL.: (508) 751-5800 E-Mail: sales@DavidClark.com FAX: (508) 753-5827

PARTS LIST MODEL H6030



No.	Description	Part No.
1	Retaining Ring (10/pk)	00009M-03
2	Right Dome	11696P-12
3	Dome Filter (1 each)	26475P-02
4	Earphone Assembly	10376G-29
5	Screw (10/pk)	13180P-06
6	Filter (1 each)	25629P-03
7	Filter (1 each)	14096P-09
8	Earseal (pair)	18316G-02
9	Filter (1 each)	26475P-08
10	Overhead Cord Kit	22607G-01

No.	Description	Part No.
11	Headband Spring	15093P-01
12	Headpad Assy	40075G-02
13	Stirrup & Clamp Kit	22378G-08
14	Clip, Cord (4/pk)	15125P-02
15	Left Dome	11696P-48
16	Boom Attachment Kit	12840G-19
17	Kit, Boom Assembly w/Att.	41090G-12
18	M-77 Electret Mic	09168P-35
19	Mic Protector	40062G-02
20	Communication Cord Assy Kit	18028G-80

ELECTRICAL SCHEMATIC
MODEL H6030

