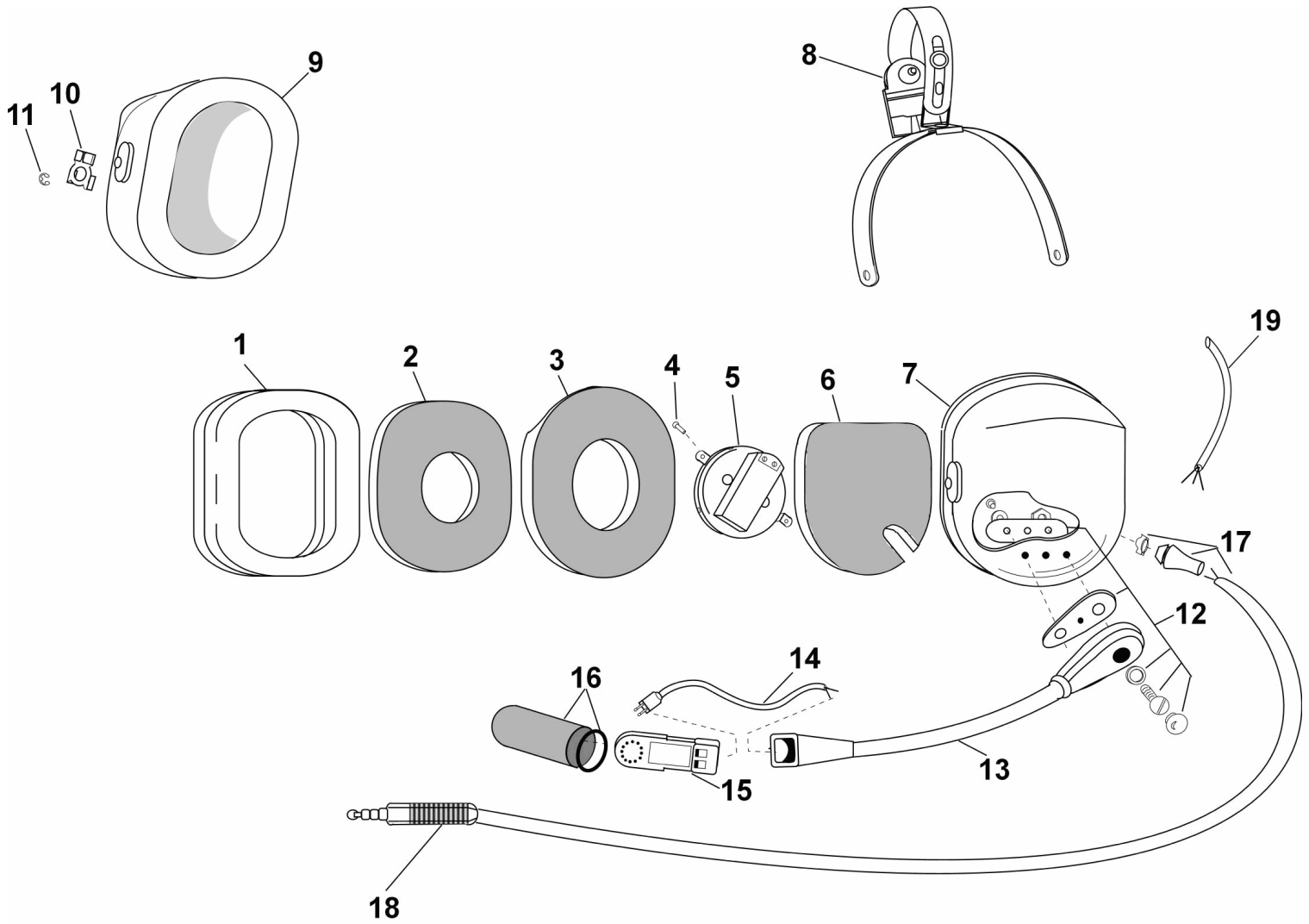


David Clark COMPANY INCORPORATED

360 Franklin Street, Box 15054, Worcester, MA 01615-0054
TEL.: (508) 751-5800 E-Mail: sales@DavidClark.com FAX: (508) 753-5827

PARTS LIST MODEL H6080



| No. | Description | Part No. |
|-----|----------------------------|-----------|
| 1 | Flo-Fit Gel Earseal (pair) | 40243G-02 |
| 2 | Dome Filter (1 each) | 14096P-05 |
| 3 | Dome Filter (1 each) | 25629P-05 |
| 4 | Screw (10/pk) | 00023M-08 |
| 5 | Earphone Assembly | 10376G-36 |
| 6 | Dome Filter (1 each) | 11410P-02 |
| 7 | Dome, Drilled, Left | 15371P-05 |
| 8 | Attachment Assembly | 18157G-03 |
| 9 | Dome, Stamped, Right | 15371P-06 |
| 10 | Dome Stop | 15097P-01 |

| No. | Description | Part No. |
|-----|-----------------------------|-----------|
| 11 | Retaining Ring (10/pk) | 00009M-03 |
| 12 | Boom Attachment Kit | 12840G-07 |
| 13 | Flex Boom Assembly | 18812G-04 |
| 14 | Microphone Plug Cord | 18744G-01 |
| 15 | M-77 Electret Mic | 09168P-35 |
| 16 | Mic Protector | 40062G-02 |
| 17 | Communication Cord Assy Kit | 18028G-80 |
| 18 | Connector, Electrical | 09226P-02 |
| 19 | Overhead Cord Kit | 22607G-01 |

ELECTRICAL SCHEMATIC
MODEL H6080

