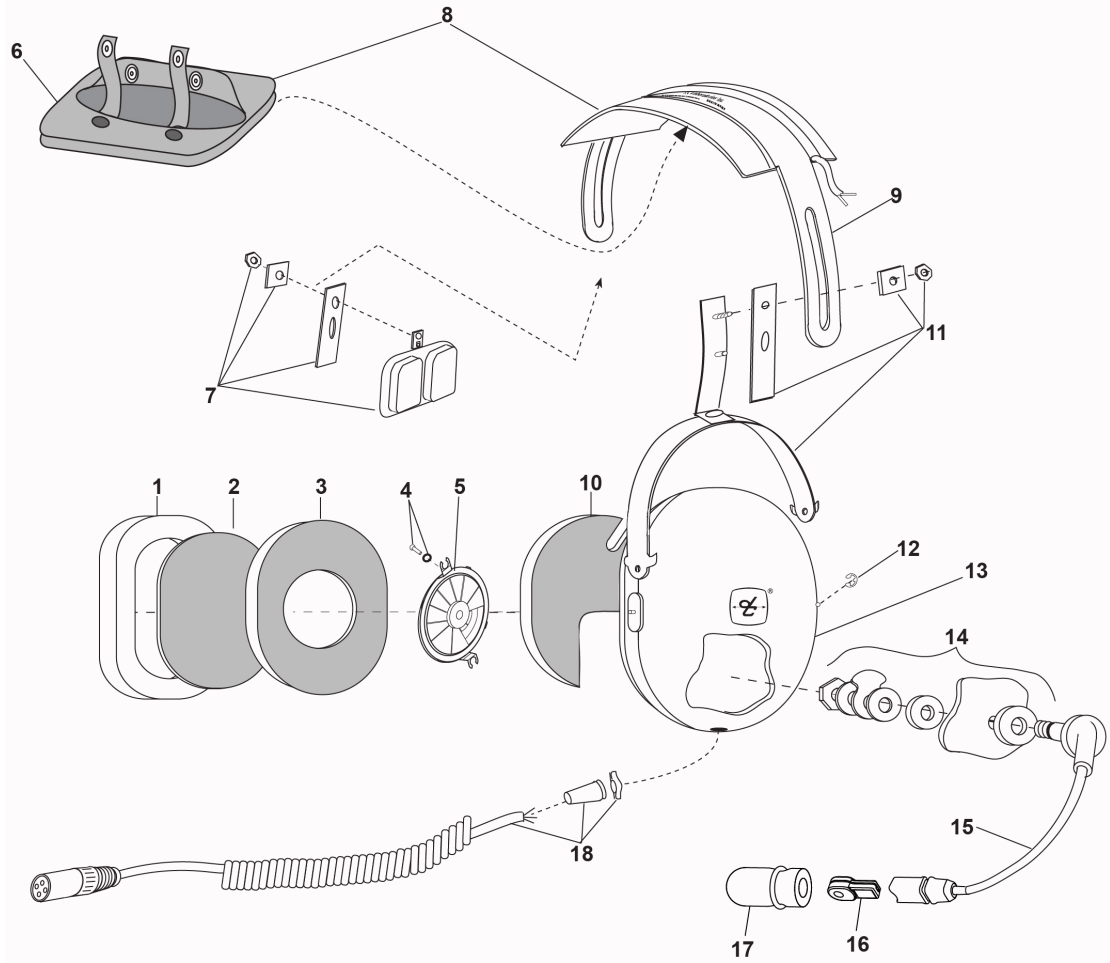


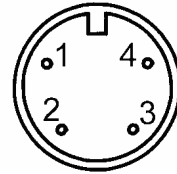
**PARTS LIST
MODEL H8595**



No.	Description	Part No.
1	Undercut Gel Earseal (pair)	40863G-02
2	Filter (1 each)	14096P-09
3	Dome Filter	25629P-03
4	Screw/Grommet Kit (4 pk)	18900G-47
5	Earphone Assembly	10376G-25
6	Headpad Restraint, Foam	40266G-03
7	Temple Pad Assy Kit	18900G-37
8	Headpad Assy	18900G-48
9	Headband Spring	15093P-03

No.	Description	Part No.
10	Filter (1 each)	26475P-08
11	Stirrup & Clamp Kit	22378G-15
12	Retaining Ring (10/pk)	00009M-03
13	Left Dome	15253P-11
14	Boom Attachment Kit	12840G-19
15	Mic Boom Assembly	18740G-34
16	Microphone M-2H 150 OHMS	09168P-76
17	Mic Protector	40062G-06
18	Comm Cord Kit	40599G-66

ELECTRICAL SCHEMATIC
MODEL H8595



PIN VIEW
NC4MX

