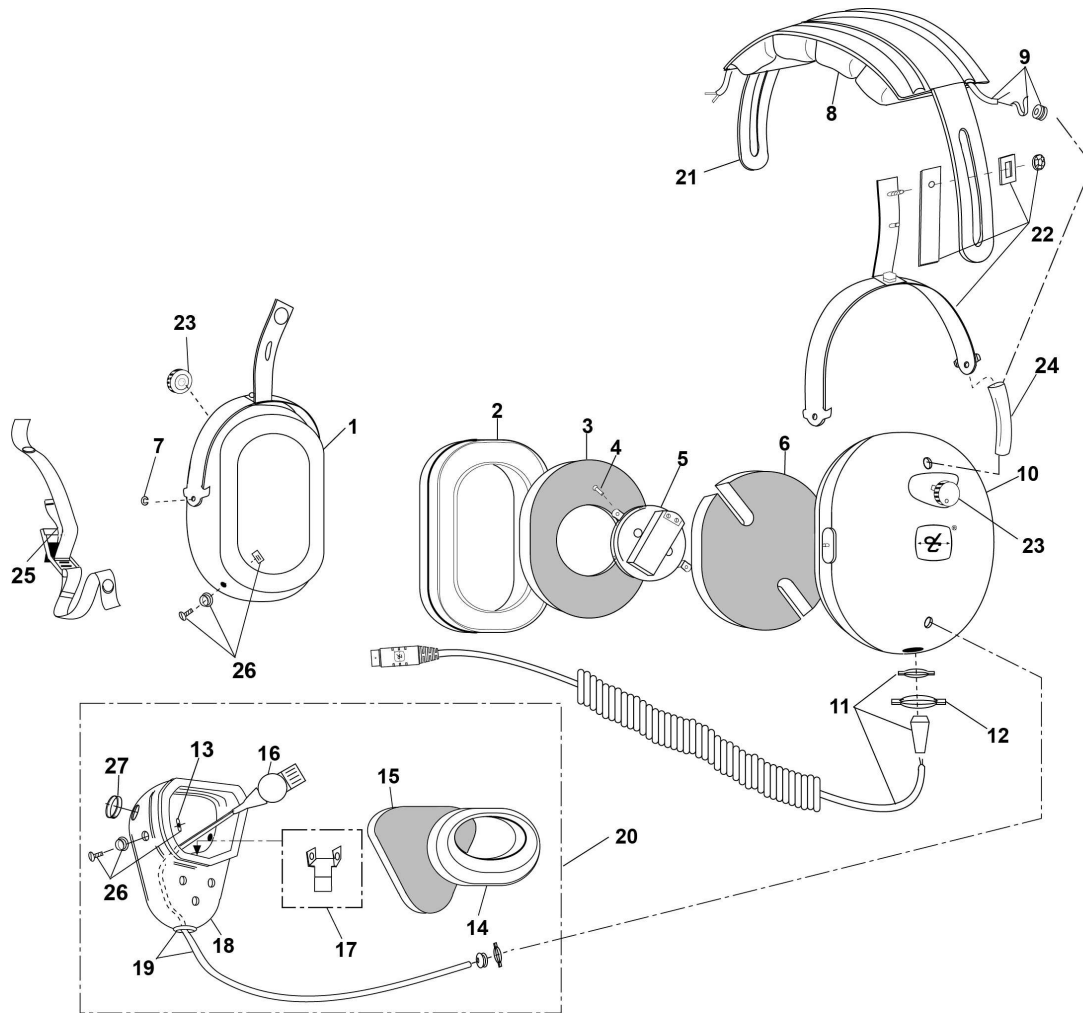


**PARTS LIST
MODEL H9910**



No.	Description	Part No.
1	Dome, Right	11353P-77
2	Undercut Gel Earseal (pair)	40863G-02
3	Filter (1 each)	25629P-03
4	Screw (10/pk)	13180P-07
5	Earphone Assembly	10376G-55
6	Dome Filter (1 each)	26475P-02
7	Retaining Ring (10/pk)	00009M-03
8	Headpad Assy	40075G-02
9	Overhead Cord Kit	22607G-01
10	Dome, Left	11353P-76
11	Comm Cord Assy Kit	40599G-98
12	Clamp, Circle (10/pk)	24433P-20
13	Push-To-Talk Switch	26619P-18
14	Cushion, Mic Shield Assy	18417G-02

No.	Description	Part No.
15	Mic Shield Filter (1 each)	24653P-02
16	Microphone M-87 150 OHM	09168P-56
17	Microphone Bracket Assy Kit	18317G-02
18	Microphone Shield	11389P-22
19	Microphone Cord Assembly	18867G-13
20	Shield Assy with Microphone	18226G-11
21	Headband Spring	15671P-04
22	Stirrup Assembly	22378G-22
23	Volume Control	09349P-57
24	Heat Shrink Tube (10/pk)	18326G-02
25	Adjustable Strap Assembly	10479G-02
26	Snap Stud Kit	18314G-02
27	Push Button Guard	26553P-01

ELECTRICAL SCHEMATIC MODEL H9910

