



TD-2400MD

2.4 GHz Data/Telemetry Radio

TD-2400MD Data Radio Modem

- Key Scanning for Multi-Key Remote Controller
- LED Status Indicator Lights
- 500 mW Power Output
- DE-9 Pin Male Connector
- Hardwired AES-128 Encryption Engine
- RF Data Speed 250 Kbps
- Serial Data Interface 115.2 Kbps
- Low Power based on 5V Operation Controller
- Industry Standard 8051 8-Bit MCU



Applications:

TecNet Data/Telemetry radios are an economic high performance solution for fail-safe telemetry applications. The TD-2400MD is a small package with a wide range of point-to-point and point-to-multipoint applications.

The TD-2400MD is designed with System-on-Chip (SOC) for low power consumption technology in the unlicensed ISM band at 2.4 GHz. Based on IEEE 802.15.4 and Zigbee protocols; TD-2400MD combines RF transceiver, enhanced 8 bit 8051 MCU with internal 96kb of FLASH and 8kb of RAM to accommodate user applications. Hardwired AES-128 encryption engine.

- Remote Monitoring
- AMR Systems
- Oil and Gas Field SCADA
- Security/Alarm Systems
- Gate ID Tag Systems
- Data Logging
- Process Controls
- Commercial Sign Control
- P.O.S Data
- Weather Monitoring Stations
- Weight Scales
- Remote Signage



TD-2400MD

ZigBee Data/Telemetry Radio

Specifications

General

CPU Core Operation Voltage	1.5V
TX Current	460mA, 500mW
RX Current	60mA
Operating Temperature	-30 to +60° C
Operating Voltage	DC, 5V
Current Drain	Tx: 460mA, Rx: 60mA, Stdy: 50mA
Crystal	16 MHz (\pm 10 ppm)

Approvals	FCC	Industry Canada
TD-2400MD	VSOXR-2400 /	9680A-XR2400



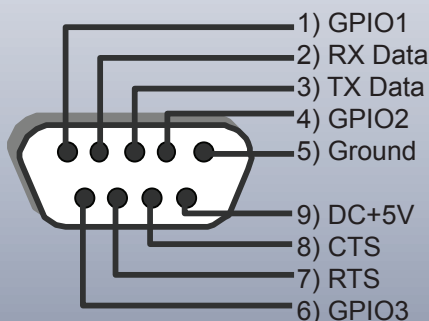
RF Characteristics

Frequency Band	2.4 GHz
Channels	16 Channels
Data Rate	250 kbps
Output Power	500mW
Sensitivity	-98dBm

MCU Characteristics

Microcontroller Core	Enhanced 8051
Flash Memory	96 kb
Data Memory	8 kb
Serial Interface	115.2 kbps

RS-232C DE-9 Male Connector



Standard Package

Radio and antenna.

Accessories

- Dipole; RPSMA Antenna
- PC Configuring Software/Cable (USB)

Contact Information



TecNet International, Inc.

11535 W. 83rd Terrace, Lenexa, KS 66214
 Tel: 800-456-2071 Toll Free U.S.
 Tel: 913-859-9515
 Fax: 913-859-9550
 Web: www.tecnetusa.com
 E-mail: tecnet@tecnetusa.com