

Features

- **Programmable 4-Frequency Control**
- **Monitor**
- **Intercom**
- **Multiple Parallel Deskset Support**
- **Selectable Parallel Transmit Audio Mute**
- **Selectable DCLOTL**
- **Selectable Off-Hook Speaker**
- **Front Panel Audio Mute/Unmute**
- **Adjustable Receive Input Sensitivity and Transmit Output Level**
- **Line Receive and Transmit Compression**
- **Built-in Microphone and Speaker**



Applications

- Police, Fire, Ambulance
- Utilities, Taxis, Airlines
- Forestry, Parks and Recreation
- Industries, Municipalities, Construction
- Security and Public Safety

The **IDR1000A DC Remote Deskset** provides radio system control from a remote location. Changes in DC current through a telephone line tell the remote adapter to control radio functions such as transmit, channel changes, and monitor. Receive audio from the radio system is sent to the IDR1000A from the radio via the same telephone line connection. The IDR1000A must be connected to a DC remote adapter, such as a GAI-Tronics model IDA1000A, located at the radio site.

The deskset is equipped with a programmable 4-frequency function control that allows each function key to be programmed for one of 56 dc currents. The intercom feature allows deskset users to communicate with each other without tying up valuable frequency

time. Parallel transmit audio allows the user to hear audio transmitted by another desk set. A selectable DCLOTL (DC Line Operated Transmit Light) indicates that a parallel-connected deskset is transmitting. An adjustable receive input sensitivity and transmit output level provides flexibility with different radio systems and user environments where radio output levels, line losses, and noise factors vary. Receive and transmit compression automatically normalizes varying input and output levels caused by system factors.

Each unit also includes a power supply, handset, built-in microphone and speaker. Front mounted controls and adjustments allow for easy installation and operation.

Specifications for IDR1000A

Color	Black
Physical Size	7.6"W x 8.9"L x 4.7"H
Weight	2.4 lbs.
Temperature Range	-35° to +70°C
Humidity	95% at 50°C (non-condensing)
Line Impedance	600 ohms nominal
Power Input	10.5 - 16 V dc; 400 mA maximum
Nominal Input Level	-10 dBm
Nominal Output Level	Range -25 to 0 dBm, -10 dB Range -15 to + 5dBm into 560 ohms
Frequency Response	±3 dB from 300-3000 Hz
Hum and Noise	Less than -45 dB below rated outputs
Audio Output to Speakers	1 watt minimum with level in compression range
Audio Distortion	Less than 3% THD

Maximum Number of RemotesPer System Limitations

DC Current Defaults

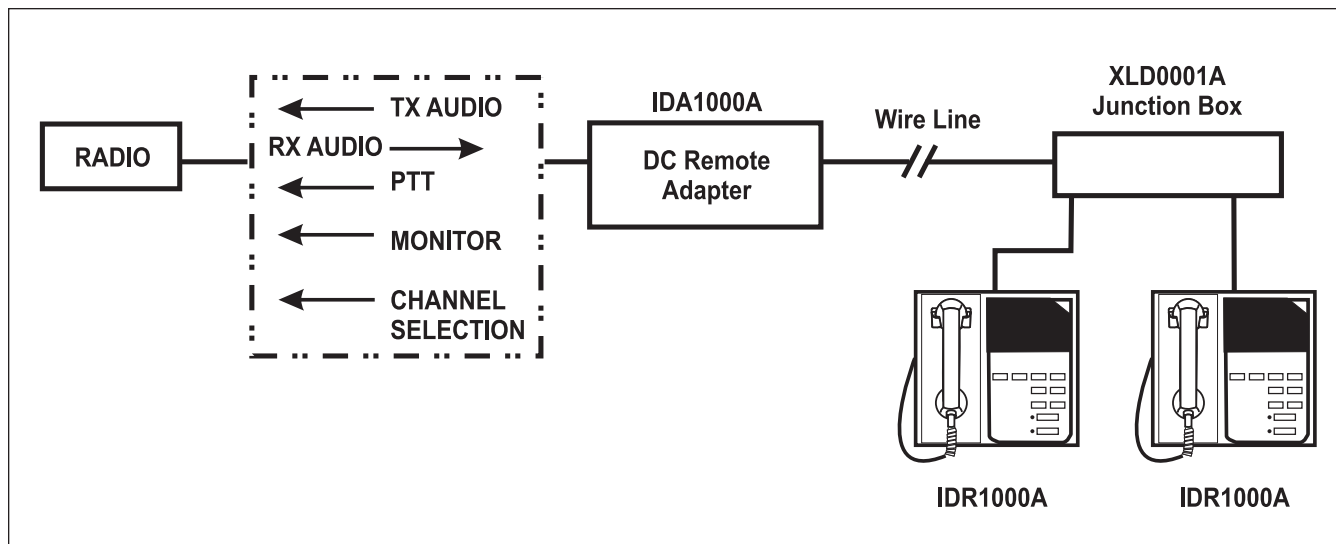
F1	.5.5 mA
F2	.12.5 mA
F3	-.5.5 mA
F4	-.12.5 mA
Monitor (Programmable)	-.2.5 mA

Note: Each button listed above can be programmed from
-14 to +14 mA in 0.5 mA increments.

SafetyClass III SELV equipment
Powered by UL-Listed (E104603)
and CSA certified (LR67888) ac adapter

Line InterfaceFCC Part 68 Exempt
(Category II Tariff #260 service for
private/leased line application)

System Diagram



Accessories and Options

IDA1000A	DC Remote Adapter
XLD0001A	Junction Box
40419-014	Replacement Power Supply
XAAB002A	Audio Accessory Box

XDM004A	Desk Microphone
XFS002A	Dual PTT & Monitor Footswitch
XGM002A	Gooseneck Microphone
XHS003C / XCC004A	Headset and Adapter Cable

Note: Models XHS003C, XDM002A, XFS002A, and XGM002A Require
XAAB002A Audio Accessory Box.

Call Customer Service (1-800-492-1212) For Application Assistance and Pricing. Specifications Subject To Change Without Notice.