

### Features

- **16 - Frequency / Function Control**
- **Programmable Quick Pages, Aliases, and Group Paging**
- **2-Line Adjustable LCD Display**
- **4 Programmable Input / Outputs**
- **Parallel Status Updating**
- **Multiple Parallel Deskset Support**
- **Line Operated Transmit Light (LOTL)**
- **Programmable Voice Delay**
- **Full Duplex Capability 2 or 4-Wire**
- **Parallel Transmit Audio**
- **Line Receive and Transmit Compression**
- **Adjustable Receive Input Sensitivity and Transmit Output Level**
- **Monitor and Intercom**
- **DTMF Encode / Decode**
- **H.E.A.R. System Compatibility**
- **PC Programmable**
- **External Connection for Accessory Microphone**



### Applications

- Police, Fire, Ambulance
- Utilities, Taxis, Airlines
- Forestry, Parks, Recreation
- Industries, Municipalities, Construction
- Security and Public Safety

The **IPE2500A Advanced Tone Remote Deskset** offers console-style alternatives to conventional base station control. Used with GAI-Tronics model ITA2000A Tone Remote Adapter, the IPE2500A provides users the flexibility needed for cost-effective, reliable dispatch.

Key features include 16-frequency control, 2-line display, function aliases, intercom, parallel status updating, programmable voice delay, and multiple deskset support. Each of the four programmable pushbuttons can be programmed with two functions. Additionally, there are four inputs and outputs that can be programmed for various uses. With the use of the Relay Control Option (XRC0001A), outputs can be configured for On-Air Light, General Purpose Control "On-Off", PTT, Vox Detect, Data Enable, and Guard Tone Detect. Inputs can be configured for Button Remap, E-Lead, for E&M, Output Link, and Link to Page. Additional capabilities include DTMF, 2-Tone, Plectron, 5-Tone, 1500, 2805, and custom 2-Tone paging formats. Pushbuttons can be configured for both preset and stack paging. Utilizing the Relay Control Option and/or DC option, the IPE2500A is capable of DC, local E&M and E&M with tone control

Each unit also includes a plug-in power supply, handset, built-in microphone and speaker. Front-mounted controls and adjustments allow for easy installation and operation.

The IPE2500A's DTMF Encode capability allows users to send DTMF control or paging commands via the integral keypad. The unit's ability to decode DTMF can provide caller identification from DTMF ANI signaling by assigning aliases to received DTMF codes. The aliases will be displayed on the unit's liquid crystal display.

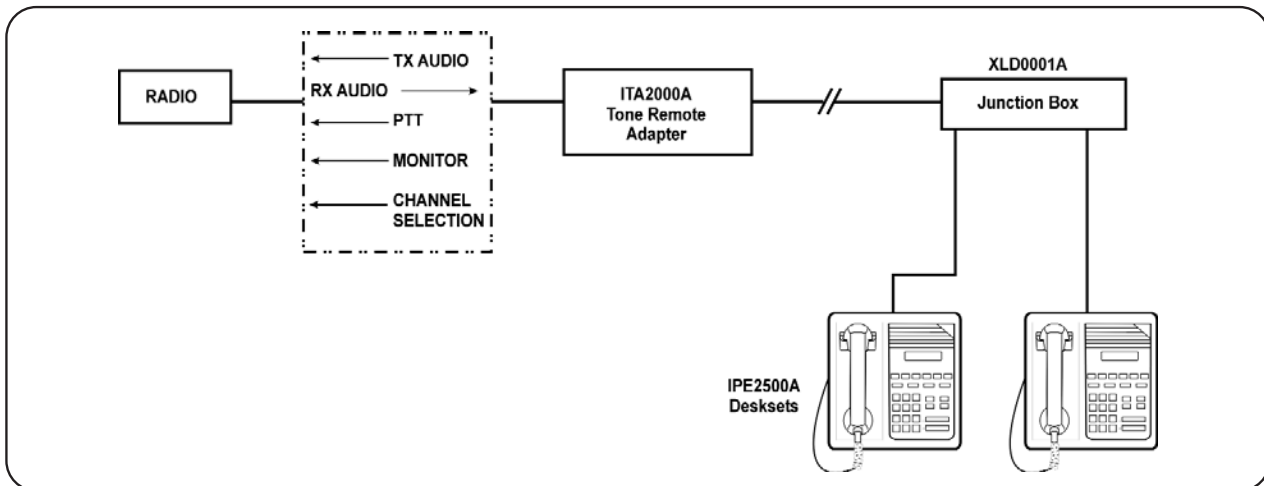
The IPE2500A is ideally suited for use in hospital emergency administration radio systems (H.E.A.R.). The unit's ability to decode a DTMF signal, unmute a normally muted speaker, and generate a programmable splash tone makes this deskset unique from any other available deskset

## Specifications for IPE2500A

Color ..... Black  
 Dimensions ..... 7.6" W x 8.9" L x 4.7" H  
 Weight ..... 3.2 lbs. min.  
 Temperature ..... -35° to +70°C  
 Humidity ..... 95% at 50°C non-condensing  
 Power Input ..... 10.5-16 VDC 400 mA maximum  
 Frequency Response ..... ±3 dB from 300-3000 Hz  
 (except notch filter)  
 Hum and Noise ..... Less than -45 dB below rated outputs  
 Audio Output to Speakers ..... 1 watt minimum with level in  
 compression range  
 Audio Distortion ..... Less than 3% THD  
 Transmit Audio ..... -14 dBm to +12 dBm adjustable  
 Maximum Number of Remotes ..... Per System Limitations  
 Microphone Connections ..... 8-pin modular

**Control Functions** (Tones Standard as Shipped):  
 Guard Tone ..... 2175 Hz, programmable  
 FI-F16 ..... Each can be programmed from 550-2050 Hz  
 in 100 Hz increments  
 Monitor ..... 2050 Hz, programmable  
 Safety ..... Class III SELV-powered  
 equipment. Powered by UL-listed (E104603) and  
 CSA certified (LR67888) ac adapter  
 Emissions ..... USA: FCC Part 15, Sub. B-Verification  
 Canada: ICES-003  
 Line Interface ..... USA: FCC Part 68 Exempt (Category II Tariff  
 #260 service for private/leased line applications) Canada: Designed  
 to meet IC CS03-8  
 Paging Encoder ..... DTMF, Plectron, 2-Tone,  
 5-Tone, 1500, 2805, Custom 2-Tone

## System Diagram



## Accessories & Options

ITA2000A	Tone Remote Adapter	40419-008	Replacement Power Supply
IDA1000A	DC Remote Adapter	XMLS001A	Multi-Line Field Install Kit
XAC4000B	Programming Bundle Flash Drive	XAAB002A	Audio Accessory Box
XAC0004A	Programming Cable	XDM004A	Desk Microphone
XDC0001A	DC Control Field Install Kit	XFS002A	Dual PTT & Monitor Footswitch
XRC0001A	Relay Control Field Install Kit	XDM005A	Desktop Gooseneck Microphone
XAC0100A	Mounting Kit for DC and Relay Kits	XHS003C / XCC004B / 25815-003:	Headset, Adapter Cable, and line cord

- Note: 1. An XAC0100A Mounting Kit must be procured with the XDC0001A DC Control Kit or XRC0001A Relay Control Kit (only one mounting kit needed if both kits are installed).  
 2. The field-installed DC Control option will require the use of a model IDA1000A DC Remote Adapter.  
 3. Use of the Relay Control Option may eliminate the need for a remote adapter. In this case, the controller can be connected directly to the radio, if desired.  
 4. **Note: Models XHS003C, XFS002A, and XDM005A Require XAAB002A Audio Accessory Box.**

Call Customer Service (1-800-492-1212) For Application Assistance and Pricing. Specifications Subject To Change Without Notice.



Toll Free: 1 (800) 492-1212 Tel: (610) 777-1374  
 Fax: (610) 796-5954 www.gai-tronics.com

