

Features

- **Interchangeable Dispatch Microphones**
- **Compact Size**
- **Streamlined Microphone Connections**
- **Telephone Interface**
- **Reversible Mounting Bracket**
- **Ideal For Deskset or Direct Radio Usage**



Applications

- Police, Fire, Ambulance
- Utilities, Taxis, Airlines
- Forestry, Parks and Recreation
- Industries, Municipalities, Construction
- Security and Public Safety
- Any Mobile Application

The **XAAB002A Audio Accessory Box** allows GAI-Tronics desksets to connect to hands-free accessories such as headsets, desk microphones, gooseneck microphones, and footswitches. Industry-standard plug-in connections for each accessory result in effortless changing of microphones. The Audio Accessory Box is a true "plug-and-play" device, offering greater flexibility than any other product on the market.

The Audio Accessory Box interfaces to all GAI-Tronics desksets. Deskset Push-to-Talk (PTT) and Monitor can be initiated from the paddle on the desk microphone or footswitch. Radio interconnect ports also allow the Audio Accessory Box to connect directly to virtually any type of radio. Dispatchers can also communicate over both a telephone and a GAI-Tronics deskset with a

single headset. The mute switch can momentarily mute radio receive audio to the headset, allowing the dispatcher to listen to telephone traffic. The unit fits easily into most set-up configurations and uses little space. The top cover of the Audio Accessory Box can double as a bracket for mounting the unit under a desktop or console, putting it completely out of sight.

Unlike the competition, which ties the user to one style of microphone, the Audio Accessory Box provides the flexibility to constantly change microphones as dispatchers change shifts and preferences. In addition to having a live hands-free microphone, the headset is still available for private conversations or periods of high ambient noise.

Specifications for XAAB002A

Color Black
Physical Size 1.55 H x 6.40 W x 4.25 D inches
Shipping Weight 3 lbs.
Power Input 9.0 to 16.0 V dc, 100 mA, maximum
Receive audio input 100 mV ac nominal
Transmit audio output 80 mV ac nominal into 600 ohms

Environment:

Ambient Temperature, Operating 0°C to 60°C
Ambient Temperature, Storage -40°C to 100°C
Ambient Humidity, Non-condensing 90%

Microphone inputs with respect to 80 mV ac output:

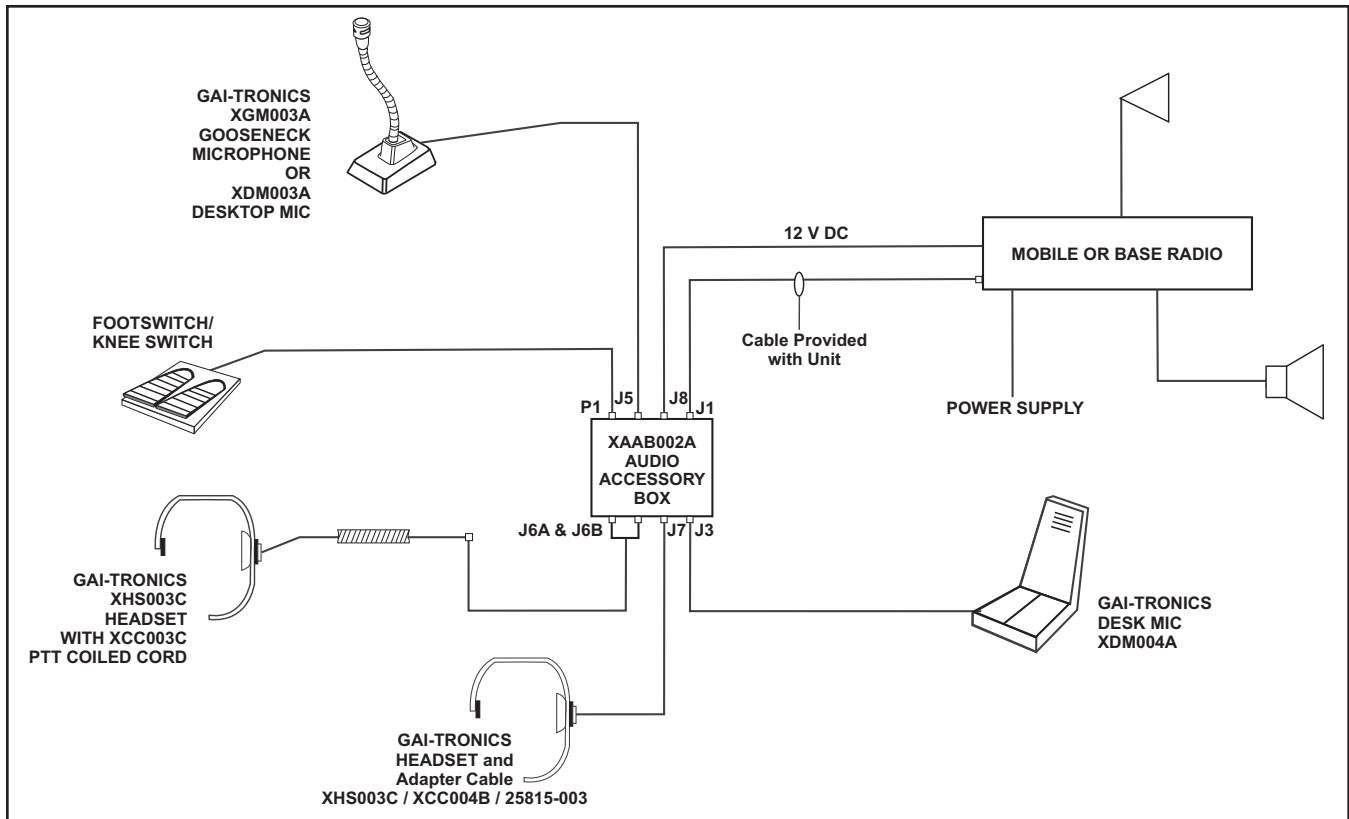
Desk Mic, selectable 25 mV ac or 800 mV ac
lxx Handset, nominal 25 mV ac

Gooseneck Mic, selectable 200 μ V ac or 850 μ V ac
or 15 mV ac
Headset Mic, selectable. 25 μ V ac or 800 mV ac

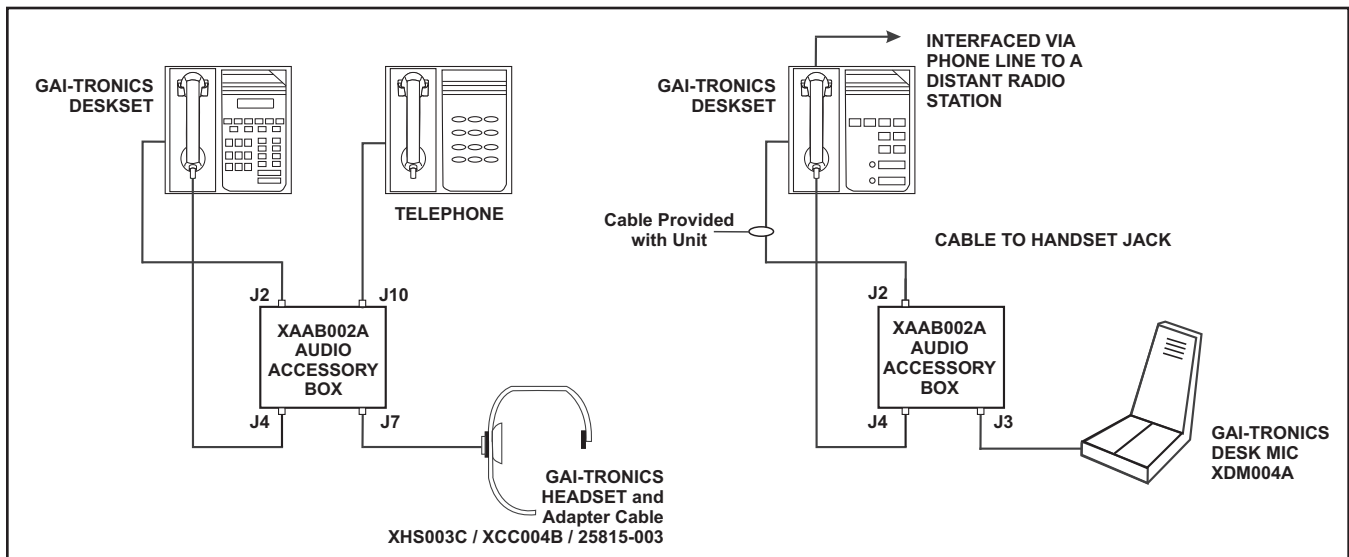
Nominal microphone gain selections:

Desk Mic +10 dB or -20 dB
Handset. +10 dB or unity
Gooseneck Mic +51 dB or +40 dB or +15 dB
Headset Mic +10 dB or -20 dB
Hum and Noise. greater than -45 dB below rated output
except high gain on boom mic
Logic Output Levels 5 V CMOS compatible
Audio Distortion. less than 2% TH

System Diagrams



Sample installation diagram when used directly with radio.



Sample installation diagram when used with desktop controllers

Accessories and Options

XDM004A Desk Microphone with PTT and Monitor Control
 XDM003A Heavy Duty Desk Microphone
 XFS002A Footswitch with PTT and Monitor Control
 XDM005A Desktop Gooseneck Microphone

XHS003C / XCC003C Headset with PTT coiled cord
 XPS002A Replacement Power Supply
 XHS003C / XCC004B / 25815-003:
 Headset, Adapter Cable, and line cord (No PTT)

Call Customer Service (1-800-492-1212) For Application Assistance and Pricing. Specifications Subject To Change Without Notice.



Toll Free: 1 (800) 492-1212 Tel: (610) 777-1374
 Fax: (610) 796-5954 www.gai-tronics.com

