

DEFINING RUGGED

EXCEPTIONAL ENGINEERING | ROCK SOLID | EXTENSIVE TESTING



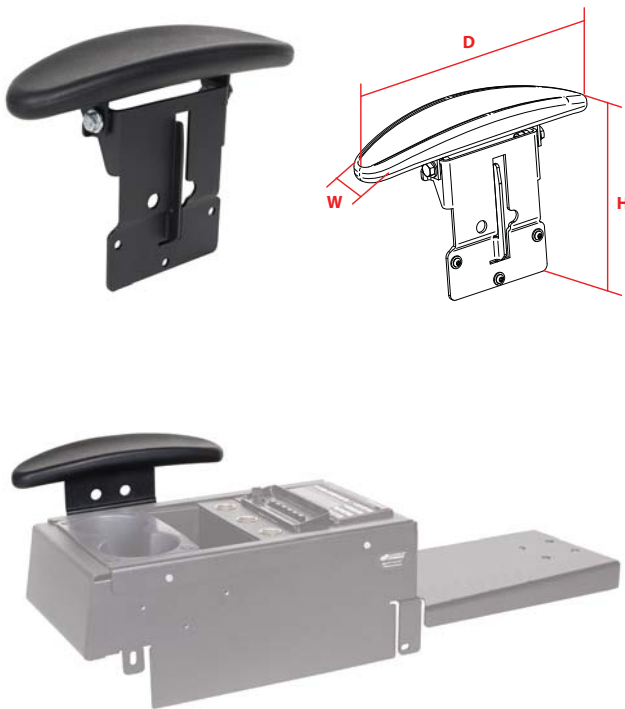
MCS DRIVER SIDE ARMREST: CHEVROLET CAPRICE POLICE PATROL VEHICLE (2011-2013)

Placement	Weight	Height	Width	Depth
On the driver side of the <i>Chevrolet Caprice Console Box</i> (Item No. 7160-0378)	2.5 lbs	7.4"	3.3"	11.0"

Features:

- Heavy gauge steel construction for long-term durability
- Black powdercoat finish for maximum corrosion resistance
- Sturdy for additional support
- Sleek, padded armrest flips up for convenience
- Attaches to *Chevrolet Caprice Console Box* (Item No. 7160-0378) console box via threaded PEM's and hardware

Item No. 7110-0999



3001 Borham Ave. | Stevens Point, WI 54481, USA
Phone: 715.344-3482 | Toll-free: 800.487-9220 | Fax: 715.344-5209
Email: gamberj@gamberjohnson.com | Website: www.gamberjohnson.com

This document, including images, may not be reproduced partly or fully without the expressed written consent of Gamber-Johnson's Marketing Department. © Copyright 2012 Gamber-Johnson LLC