

DEFINING RUGGED

EXCEPTIONAL ENGINEERING | ROCK SOLID | EXTENSIVE TESTING



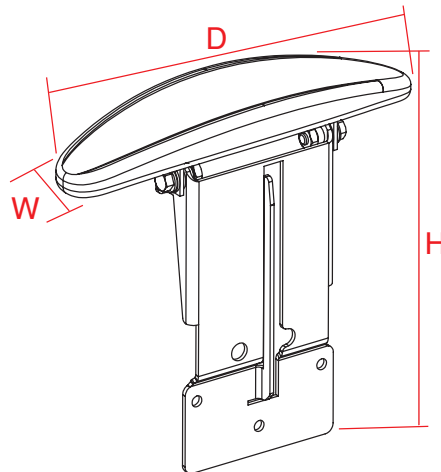
MCS DRIVER SIDE ARMREST: CHEVROLET TAHOE POLICE PATROL VEHICLE (2007-2015)

Placement	Weight	Height	Width	Depth
On the driver side of the <i>Chevrolet Tahoe Console Box</i> (Item No. 7160-0435, 7160-0548-00 or 7160-0548-02)	3.0 lbs	10.4"	3.3"	11.0"

Features:

- Heavy gauge steel construction for long-term durability
- Black powdercoat finish for maximum corrosion resistance
- Sturdy for additional support
- Sleek, padded armrest flips up for convenience
- Attaches to *Chevrolet Tahoe Console Box* (Item No. 7160-0435, 7160-0548-00 or 7160-0548-02) console box via threaded PEM's and hardware

Item No. 7110-1013



Very Well Connected™

3001 Borham Ave. | Stevens Point, WI 54481, USA
Phone: 715.344-3482 | Toll-free: 800.487-9220 | Fax: 715.344-5209
Email: gamberj@gamberjohnson.com | Website: www.gamberjohnson.com

Follow us on:



This document, including images, may not be reproduced partly or fully without the expressed written consent of Gamber-Johnson's Marketing Department.
© Copyright 2013 Gamber-Johnson LLC