

RUGGED.

DOCKING STATIONS AND VEHICLE MOUNTS

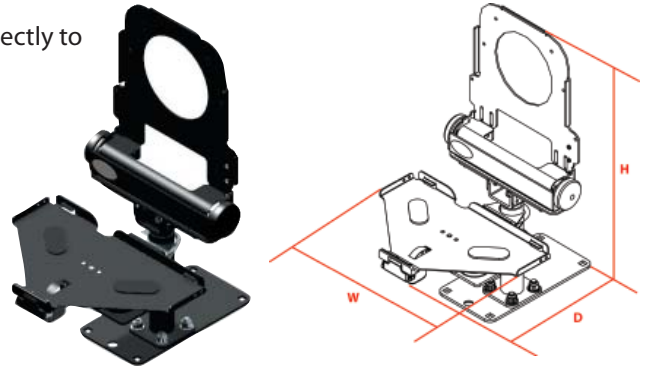


Motorola MW800/MW810 Complete Pedestal Mounting Solution

Tilt	Swivel	Weight	Height	Width	Depth
<ul style="list-style-type: none">- Display can be tilted up to 45° forward/10° back toward the dash- Keyboard can be tilted up to 90°	<ul style="list-style-type: none">- Display can swivel 10° toward the driver or passenger	22.2 lbs	21.5" to 25.0"	12.88"	21.0"

Features

- Designed specifically to mount to any *MCS Top Plate* or directly to the transmission hump
- Can be mounted to any flat horizontal surface
- The display can easily be tilted forward up to 45° or back toward the dash 10°
- Display and keyboard can be adjusted up/down for optimal positioning
- *CPU Side-Mounting Bracket* (Item No. 7160-0072) can be used (ordered separately)
- Keyboard articulating arm has 180° range of motion & can be pulled out to position the keyboard for easier typing
- Keyboard mount can be tilted up or down for typing comfort and allows the keyboard to be quickly removed and inserted
- 3 year limited warranty
- Heavy gauge steel construction for long-term durability
- Black powdercoat finish for maximum corrosion resistance



Item No. **7160-0069**



Shown with MW800 computer

 **GAMBER
JOHNSON**[®]
Very Well Connected[™]

3001 Borham Ave
Stevens Point, WI 54481
Phone: 800-456-6868
Fax: 715-344-8845
Email: gamberj@gamberjohnson.com
Website: www.gamberjohnson.com