

# INSTALLATION INSTRUCTIONS

## Product

7160-0203  
SCREEN SUPPORT, DELL E-SERIES

## Revision

Rev. A

## Form

INST-440

The Dell E Screen support will allow a user to secure the Dell E 6400, 6400 ATG, or 6500 screen and reduce its motion during rugged vehicle use.

### Tools Needed

9/64 hex-key wrench  
11/32 box wrench

### Screen Support Attachment

1. Secure the screen support to the left side of the cradle using (2) #8-32 x .50 socket head cap screws and (2) #8 flat washers with the 9/64 hex-key wrench.
2. Loosen (2) #8-32 x .50 socket head cap screws and #8 lock nuts then adjust the screen support width. Secure the fasteners after the adjustment.

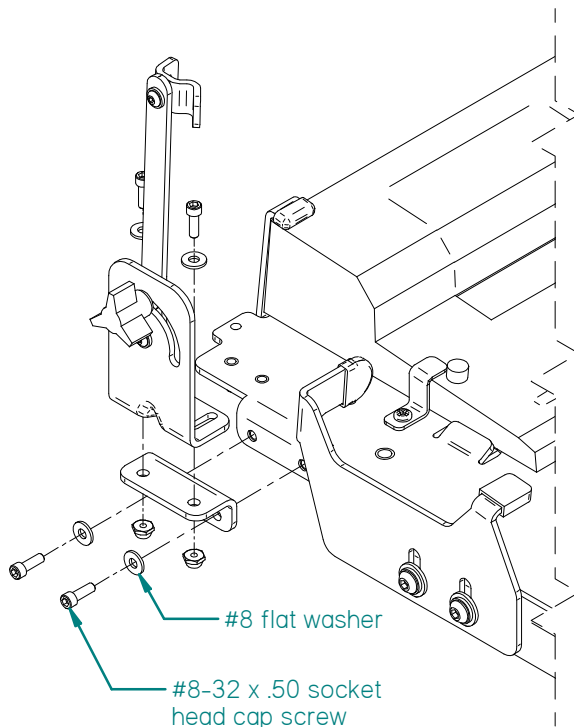


Figure 1

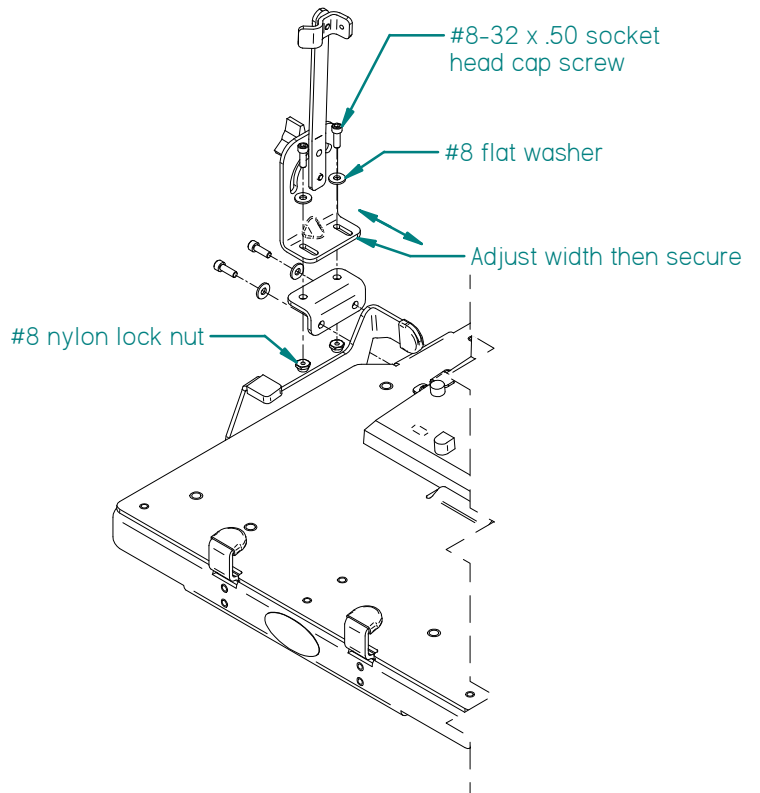


Figure 2

#### Product Mounting Disclaimer

Gamber-Johnson is not liable under any theory of contract or tort law for any loss, damage, personal injury, special, incidental or consequential damages for personal injury or other damage of any nature arising directly or indirectly as a result of the improper installation or use of its products in vehicle or any other application. In order to safely install and use Gamber-Johnson products full consideration of vehicle occupants, vehicle systems (i.e., the location of fuel lines, brakes lines, electrical, drive train or other systems), air-bags and other safety equipment is required. Gamber-Johnson specifically disclaims any responsibility for the improper use or installation of its products not consistent with the original vehicle manufactures specifications and recommendations, Gamber-Johnson product instruction sheets, or workmanship standards as endorsed through the Gamber-Johnson Certified Installer Program.

If you need assistance or have questions, call Gamber-Johnson at 1-800-456-6868