

DEFINING RUGGED

EXCEPTIONAL ENGINEERING | ROCK SOLID | EXTENSIVE TESTING



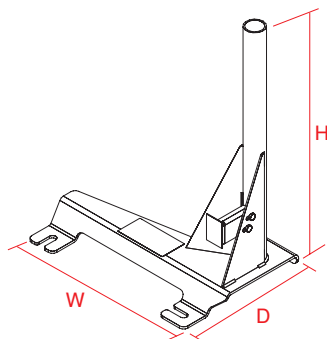
CHEVROLET/GMC G-SERIES VAN (2010-2015) CHEVROLET EXPRESS VAN (2010-2015) GMC SAVANA VAN (2010-2015)

Placement	Seat Configurations	Drilling Required	Recommended Pole Solution	Weight	Height	Width	Depth
Passenger side inner front and back seat studs	Bucket	No - attaches seat studs: <i>Chevrolet/GMC G-Series Van (2010-2015)</i> <i>Chevrolet Express Van (2010-2015)</i> <i>GMC Savana Van (2010-2015)</i>	Upper Pole: 7160-0178 (Lower Tube included with base) Motion Attachment: 7160-0220 Poles/Motion Attachments ordered separately	8.1 lbs	19.85"	15.0"	9.31"

Features:

- Heavy gauge steel construction for long-term durability
- Black powdercoat finish for maximum corrosion resistance
- Won't interfere with passenger leg space
- Bracket mounted to pole gusset allows for additional attachment to seat frame
- Base works with most existing work boxes

Item No. **7160-0248**



Very Well Connected™

3001 Borham Ave. | Stevens Point, WI 54481, USA
Phone: 715.344.3482 | Toll-free: 800.487.9220 | Fax: 715.344.5209
Email: gamberj@gamberjohnson.com | Website: www.gamberjohnson.com

Follow us on:



This document, including images, may not be reproduced partly or fully without the expressed written consent of Gamber-Johnson's Marketing Department.
© Copyright 2013 Gamber-Johnson LLC