

DEFINING RUGGED

EXCEPTIONAL ENGINEERING | ROCK SOLID | EXTENSIVE TESTING

MCS VEHICLE LEG KIT: CHEVROLET COLORADO (2007-2012) GMC CANYON (2007-2012)

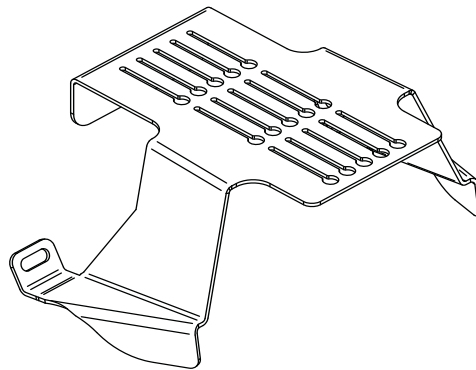
Placement	Seat Configuration	Drilling Required	Weight
On both sides of transmission hump	Bucket	No - attaches to the existing studs on top of the transmission hump	12.8 lbs

Features:

- Heavy gauge steel construction for long-term durability
- Black powdercoat finish for maximum corrosion resistance

Note: Does not require a *MCS Top Plate*

Item No. 7160-0249



3001 Borham Ave. | Stevens Point, WI 54481, USA
Phone: 715.344-3482 | Toll-free: 800.487-9220 | Fax: 715.344-5209
Email: gamberj@gamberjohnson.com | Website: www.gamberjohnson.com

This document, including images, may not be reproduced partly or fully without the expressed written consent of Gamber-Johnson's Marketing Department. © Copyright 2012 Gamber-Johnson LLC