

# DEFINING RUGGED

EXCEPTIONAL ENGINEERING | ROCK SOLID | EXTENSIVE TESTING

## FORD FUSION (2013-2015)

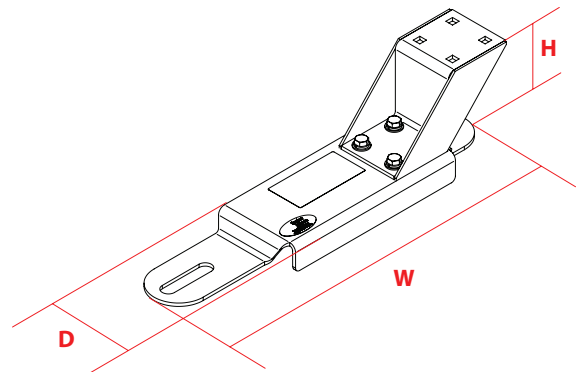
Placement	Seat Configurations	Drilling Required	Recommended Pole Solution	Weight	Height	Width	Depth
Attaches to inboard and outboard passenger side seat hooks	Bucket	<b>No</b> - attaches seat hooks: <i>Ford Fusion (2013-2015)</i>	Lower Pole: DS-LOWER-9 Upper Pole: QADJ-UPPER-M Support Brace: 7160-0230 Motion Attachment: 7160-0284 Poles/Motion Attachments ordered separately	6.9 lbs	5.43"	19.0"	4.36"

### Features:

- Heavy gauge steel construction for long-term durability
- Black powdercoat finish for maximum corrosion resistance
- Won't interfere with passenger leg space
- Can be used with factory installed console
- One *Offset Universal Mounting Step* (Item No. DS-STEP) is already included with this vehicle base. However, additional *Offset Universal Mounting Steps* can be ordered to stack on top of each other if needed.
- For extra stability, a *Support Brace* (Item No. 7160-0230) is recommended

*Note*: Forward seat travel is affected

**Item No. 7160-0260**



Very Well Connected™

3001 Borham Ave. | Stevens Point, WI 54481, USA  
 Phone: 715.344-3482 | Toll-free: 800.487-9220 | Fax: 715.344-5209  
 Email: [gamberj@gamberjohnson.com](mailto:gamberj@gamberjohnson.com) | Website: [www.gamberjohnson.com](http://www.gamberjohnson.com)

Follow us on:



This document, including images, may not be reproduced partly or fully without the expressed written consent of Gamber-Johnson's Marketing Department.  
 © Copyright 2013 Gamber-Johnson LLC