

DEFINING RUGGED

EXCEPTIONAL ENGINEERING | ROCK SOLID | EXTENSIVE TESTING

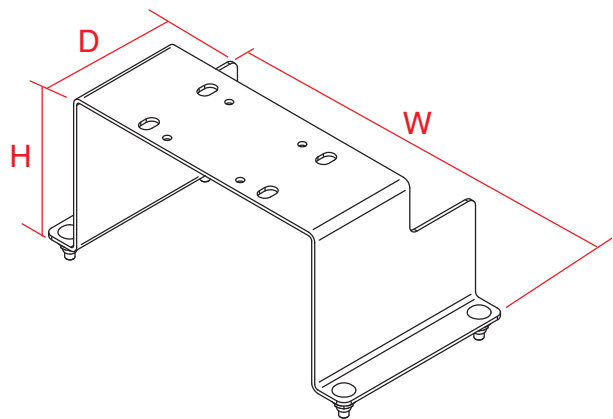
MCS TRUNK MOUNTING SOLUTIONS ACCESSORY: TALL COMPUTER MOUNTING PLATFORM

Description	Placement	Drilling Required	Weight	Height	Width	Depth
Tall trunk shelf mounting plate	Attaches to threaded pems on the front of the Chevrolet Caprice PPV Trunk Shelf (Item No. 7160-0380) or Ford Sedan Police Interceptor Trunk Shelf (Item No. 7160-0438)	No	2.4 lbs	4.62"	10.25"	5.5"

Features:

- For Stationary Mounting only
- Does not provide any tilting or swiveling
- Tall version is designed to maximize the trunk shelf mounting space
- Allows for items such as radios to be mounted below the docking station
- Heavy gauge steel construction for long-term durability
- Black powdercoat finish for maximum corrosion resistance

Item No. **7160-0311**



Very Well Connected™

3001 Borham Ave. | Stevens Point, WI 54481, USA
Phone: 715.344-3482 | Toll-free: 800.487-9220 | Fax: 715.344-5209
Email: gamber@gamberjohnson.com | Website: www.gamberjohnson.com

This document, including images, may not be reproduced partly or fully without the expressed written consent of Gamber-Johnson's Marketing Department. © Copyright 2013 Gamber-Johnson LLC