

DEFINING RUGGED

EXCEPTIONAL ENGINEERING | ROCK SOLID | EXTENSIVE TESTING



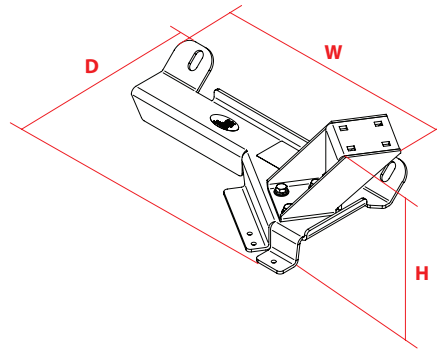
DODGE DURANGO (2011-2015) JEEP GRAND CHEROKEE (2011-2015)

Placement	Seat Configurations	Drilling Required	Recommended Pole Solution	Weight	Height	Width	Depth
Passenger side floor, under seat	Bucket	No - attaches to seat studs: <i>Dodge Durango (2011-2015)</i> <i>Jeep Grand Cherokee (2011-2015)</i>	Lower Tube: DS-LOWER-9 Upper Pole: 7160-0178 Support Brace: 7160-0230 Motion Attachment: 7160-0220 Tubes/Poles and Motion Attachments ordered separately	9.11 lbs	5.87"	18.85"	9.22"

Features:

- Heavy gauge steel construction for long-term durability
- Black powdercoat finish for maximum corrosion resistance
- Won't interfere with levers or factory-installed consoles located on transmission hump
- Won't interfere with passenger leg space
- One *Offset Universal Mounting Step* (Item No. DS-STEP) is already included with this vehicle base. However, additional *Offset Universal Mounting Steps* can be ordered to stack on top of each other if needed.
- For extra stability a *Support Brace* (Item No. 7160-0230) is recommended

Item No. **7160-0323**



Very Well Connected™

3001 Borham Ave. | Stevens Point, WI 54481, USA
Phone: 715.344-3482 | Toll-free: 800.487-9220 | Fax: 715.344-5209
Email: gamberj@gamberjohnson.com | Website: www.gamberjohnson.com

Follow us on:



This document, including images, may not be reproduced partly or fully without the expressed written consent of Gamber-Johnson's Marketing Department.
© Copyright 2013 Gamber-Johnson LLC