

DEFINING RUGGED

EXCEPTIONAL ENGINEERING | ROCK SOLID | EXTENSIVE TESTING



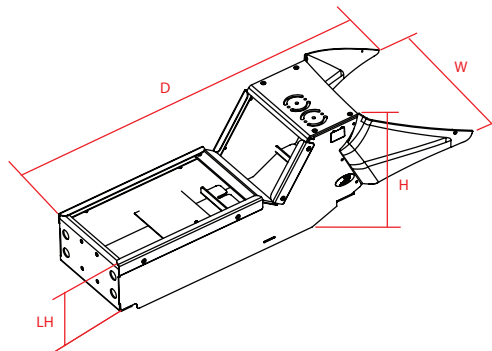
MCS VEHICLE SPECIFIC CONSOLE BOX WITH INTERNAL CUPHOLDER AND ARMREST: DODGE CHARGER POLICE PACKAGE (2011-2015)

Placement	Seat Configuration	Drilling Required	Weight	Lower Height (LH)	Overall Height	Width	Depth
On top of transmission hump	Bucket	No - attaches to transmission hump	24 lbs.	3.6" to 5.6"	10.58"	14.01"	40.21"

Features:

- Heavy gauge steel, fully welded construction for long-term durability
- Black powdercoat finish for maximum corrosion resistance
- Low profile, no-drill vehicle specific console box
- 5 fasteners for mounting right to transmission hump, does not require a Leg Kit or MCS Top Plate
- Vertical, angled section accommodates 6" of mounting space and is designed to house full sized radios
- Horizontal, low profile section accommodates 9" of mounting space and is designed to house radio control heads and accessories
- A removable top plate and center plate for easy radio installation and wire routing
- Ships with molded dash filler panels that gives the box a sleek appearance that blends in with the car's aesthetics
- Five, 12 Volt knock-outs (4 on the back and 1 on driver side)
- USB and MP3 knock-outs from stock console, relocated on passenger side
- Computer can be mounted on top of the console box and has the ability to be centered or off-set towards the passenger on the "smiley face pattern"
- Will ship fully assembled (molded dash panels must be installed on-site)
- 3 faceplates and 3 filler panels are included
- Console box is not compatible with legacy Dodge Chargers

Item No. **7160-0327**



Very Well Connected™

3001 Borham Ave. | Stevens Point, WI 54481, USA
 Phone: 715.344-3482 | Toll-free: 800.487-9220 | Fax: 715.344-5209
 Email: gamberj@gamberjohnson.com | Website: www.gamberjohnson.com

Follow us on:



This document, including images, may not be reproduced partly or fully without the expressed written consent of Gamber-Johnson's Marketing Department.
 © Copyright 2013 Gamber-Johnson LLC