

DEFINING RUGGED

EXCEPTIONAL ENGINEERING | ROCK SOLID | EXTENSIVE TESTING



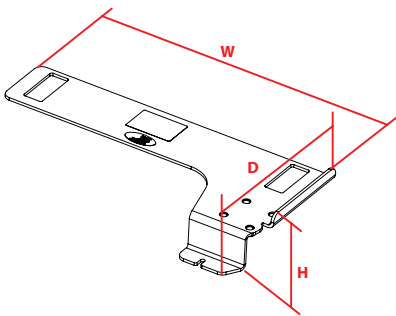
DODGE CHARGER (2011-2015)

Placement	Seat Configurations	Drilling Required	Recommended Pole Solution	Weight	Height	Width	Depth
Passenger side floor, under seat	Bucket	No - attaches to seat studs: <i>Dodge Charger (2011-2015)</i>	Lower Tube: DS-LOWER-13 Upper Pole: 7160-0178 Motion Attachment: 7160-0220 Tubes/Poles and Motion Attachments ordered separately	10.5 lbs	3.2"	20.3"	9.6"

Features:

- Heavy gauge steel construction for long-term durability
- Black powdercoat finish for maximum corrosion resistance
- No drill base will work with both the police and street model Dodge Charger
- Can be used with factory installed console
- A *Support Brace (Item No. 7160-0230)* is highly recommended

Item No. 7160-0329



Very Well Connected™

3001 Borham Ave. | Stevens Point, WI 54481, USA
 Phone: 715.344-3482 | Toll-free: 800.487-9220 | Fax: 715.344-5209
 Email: gamberj@gamberjohnson.com | Website: www.gamberjohnson.com

Follow us on:



This document, including images, may not be reproduced partly or fully without the expressed written consent of Gamber-Johnson's Marketing Department.
 © Copyright 2013 Gamber-Johnson LLC