

DEFINING RUGGED

EXCEPTIONAL ENGINEERING | ROCK SOLID | EXTENSIVE TESTING

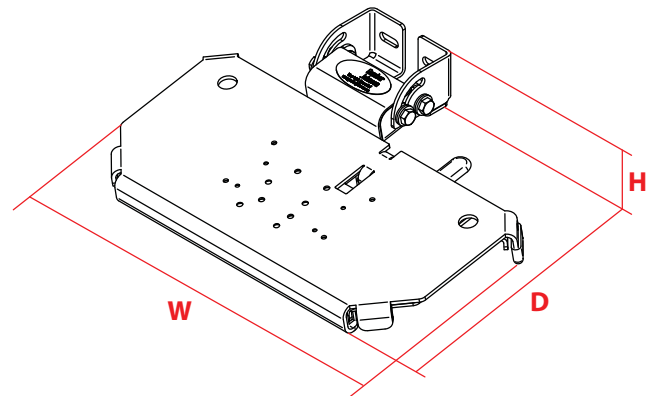
QUICK RELEASE KEYBOARD TRAY ASSEMBLY

Placement	Tilt	Weight	Height	Width	Depth
Attaches to pre-drilled holes on <i>Rack-to-Post Platform</i> (Item No. DS-74) or <i>Keyboard Articulating Arm</i> (Item No. KEYBOARD-ARM)	Yes - up to 90° up and 10° down	4.45 lbs	1.71"	12.86"	8.67"

Features:

- Heavy gauge steel base plate construction for long-term durability
- Aluminum keyboard plate for reduced weight
- Black powdercoat finish for maximum corrosion resistance
- Keyboard plate features hole patterns: PDRC Keyboard, I-Key Keyboard and a Standard Amps pattern.
- Keyboard can easily be removed using the latching lever in the back and allows for one-handed release
- Keyboard can be comfortably placed in the operators lap for typing
- When done keyboard snaps back onto the steel base plate with an audible click that indicates an engaged latch
- Keyboard tilts down 10° to a positive stop and 90° up for clearance to electronics located in the console box
- Can be used with *Keyboard Articulating Arm* (Item No. KEYBOARD-ARM) to give more range of motion
- Testing: MIL-STD-810G, crash hazard, minimum integrity vibration testing, and functional shock

Item No. **7160-0330**



3001 Borham Ave. | Stevens Point, WI 54481, USA
Phone: 715.344-3482 | Toll-free: 800.487-9220 | Fax: 715.344-5209
Email: gamberj@gamberjohnson.com | Website: www.gamberjohnson.com

This document, including images, may not be reproduced partly or fully without the expressed written consent of Gamber-Johnson's Marketing Department. © Copyright 2012 Gamber-Johnson LLC