

DEFINING RUGGED

EXCEPTIONAL ENGINEERING | ROCK SOLID | EXTENSIVE TESTING

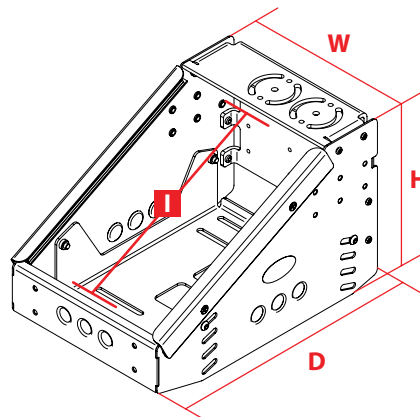
13" LOW PROFILE ERGONOMIC CONSOLE BOX

Placement	Seat Configurations	Drilling Required	Number of Radios	Weight	Height	Width	Depth	Interior Depth
Any MCS Top Plate (Item No. 7160-0086 or 7160-0085)	Bucket	No	3 to 5	17.75 lbs	8.5"	9.06"	13.33"	10.66"

Features:

- Ergonomically designed console box that provides two mounting positions for motion devices on the top of the console box
- Allows radios and control heads to be mounting in clear view of the driver
- Reduced height allows the console to be positioned closer to the dash
- Top plate can be removed during installation for better access to electronics
- Two piece flexible design allows for many height and angle combinations
- 9 Knockout panels for cigarette adapters
- Large cutout holes on bottom for wiring access
- Pre-drilled sidewall & bottom slots for convenient mounting
- Pre-drilled holes for use with any Gamber-Johnson cup holder
- Heavy gauge steel construction for long term durability
- Black powder coat finish for maximum corrosion resistance
- Rounded edges for sleek appearance
- 3 faceplates and 3 filler panels are included

Item No. **7160-0333**



Very Well Connected™

3001 Borham Ave. | Stevens Point, WI 54481, USA
 Phone: 715.344-3482 | Toll-free: 800.487-9220 | Fax: 715.344-5209
 Email: gamberj@gamberjohnson.com | Website: www.gamberjohnson.com

Follow us on:

This document, including images, may not be reproduced partly or fully without the expressed written consent of Gamber-Johnson's Marketing Department.
 © Copyright 2013 Gamber-Johnson LLC