

# DEFINING RUGGED

EXCEPTIONAL ENGINEERING | ROCK SOLID | EXTENSIVE TESTING



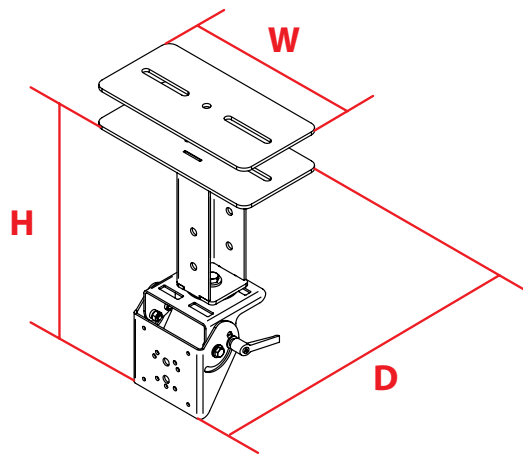
## FORKLIFT MOUNT: OVERHEAD GUARD WITH CLAM SHELL

Placement	Tilt	Swivel	Weight	Height	Width	Depth
Attaches directly to the top of the overhead guard	Yes - up to 160° total	Motion Attachment - 360°	9.25 lbs.	13.15"	10.0"	5.6"

### Features:

- Heavy gauge steel construction for long-term durability in a rugged environment
- Black powdercoat finish for maximum corrosion resistance
- The Overhead Guard Mount allows users to mount device from the top of the overhead guard
- The arm extends down 8.0" from the top of the overhead guard
- *Overhead Guard Mount with Clam Shell* features the following hole patterns; AMPS, NEC, VESA 75mm

Item No. **7160-0368**



3001 Borham Ave. | Stevens Point, WI 54481, USA  
 Phone: 715.344.3482 | Toll-free: 800.487.9220 | Fax: 715.344.5209  
 Email: [gamberj@gamberjohnson.com](mailto:gamberj@gamberjohnson.com) | Website: [www.gamberjohnson.com](http://www.gamberjohnson.com)

Follow us on:



This document, including images, may not be reproduced partly or fully without the expressed written consent of Gamber-Johnson's Marketing Department.  
 © Copyright 2014 Gamber-Johnson LLC