

DEFINING RUGGED

EXCEPTIONAL ENGINEERING | ROCK SOLID | EXTENSIVE TESTING



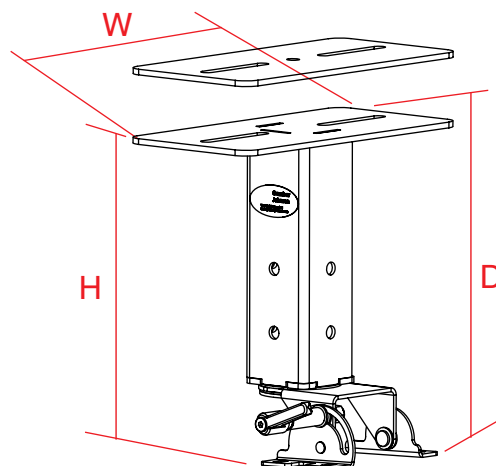
FORKLIFT MOUNT: OVERHEAD GUARD WITH 0-90 CLEVIS

Placement	Tilt	Swivel	Weight	Height	Width	Depth
Attaches directly to the top of the overhead guard	Yes - up to 90° fore/30° aft	Motion Attachment - 360°	9.0 lbs.	11.17"	10.0"	5.13"

Features:

- Heavy gauge steel construction for long-term durability in a rugged environment
- Black powdercoat finish for maximum corrosion resistance
- The Overhead Guard Mount allows users to mount device from the top of the overhead guard
- The arm extends down 8.0" from the top of the overhead guard
- *Overhead Guard Mount with 0-90 Clevis* can attach directly to any Gamber-Johnson *Docking Station Tablet* or can be combined with the *Universal Adapter Plate* (Item No. 7160-0454) to be used with a display using a VESA 100mm pattern
- Tilt capabilities:
 - 90° forward allows for tablets to be easily mounted
 - 30° aft movement with a positive stop at 30°
 - Riveted design allows for smoother tilt movement
- Easier installation:
 - Open throat design for ease of mounting to docking stations and cradles

Item No. **7160-0369**



Very Well Connected™

3001 Borham Ave. | Stevens Point, WI 54481, USA
 Phone: 715.344.3482 | Toll-free: 800.487.9220 | Fax: 715.344.5209
 Email: gamberj@gamberjohnson.com | Website: www.gamberjohnson.com

Follow us on:



This document, including images, may not be reproduced partly or fully without the expressed written consent of Gamber-Johnson's Marketing Department.
 © Copyright 2014 Gamber-Johnson LLC