

DEFINING RUGGED

EXCEPTIONAL ENGINEERING | ROCK SOLID | EXTENSIVE TESTING

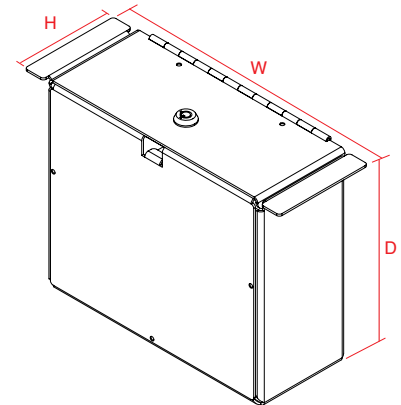
MCS ACCESSORIES: LOCKING TALL INTERIOR POCKET

Placement	Weight	Height	Width	Depth
Fits in any <i>EPIC Console Box</i> (Item No. MCS-EPIC9, MCS-EPIC13, MCS-EPIC17) or in any <i>Ford Sedan Police Interceptor Console Boxes</i> (Item No. 7160-0409 or 7160-0410) <i>Ford Utility Police Interceptor Console Boxes</i> (Item No. 7160-0411 or 7160-0412)	3.1 lbs	3.1"	8.6"	6.3"

Features:

- Heavy gauge steel construction for long-term durability
- Black powdercoat finish for maximum corrosion resistance
- Locking lid with barrel key lock
- Ideal for weapons, keys and other miscellaneous items

Item No. 7160-0388



Tall Locking Pocket open



Very Well Connected™

3001 Borham Ave. | Stevens Point, WI 54481, USA
Phone: 715.344-3482 | Toll-free: 800.487-9220 | Fax: 715.344-5209
Email: gamberj@gamberjohnson.com | Website: www.gamberjohnson.com

Follow us on:

This document, including images, may not be reproduced partly or fully without the expressed written consent of Gamber-Johnson's Marketing Department.
© Copyright 2013 Gamber-Johnson LLC