

DEFINING RUGGED

EXCEPTIONAL ENGINEERING | ROCK SOLID | EXTENSIVE TESTING



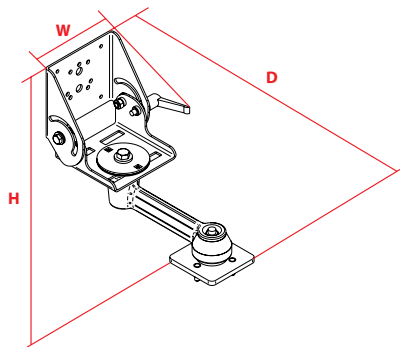
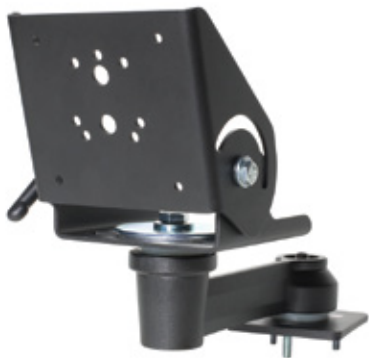
6" ARTICULATING ARM WITH CLAM SHELL

Placement	Tilt	Swivel	Rotate	Weight	Height	Width	Depth
Any <i>Upper Pole, Complete Pole, Low Profile Brackets</i> or the <i>Universal Portable Base</i>	Yes - up to 160° fore/160° aft	Yes - 360°	360°	3.0 lbs	7.88"	6.0"	10.60"

Features:

- Marine-grade aluminum to help prevent rusting
- Black powdercoat finish for maximum corrosion resistance
- Clam shell has AMPS, NEC and 75mm VESA hole pattern on it
- The adjustable lever allows you to tilt the clam shell forward or backward and comes with a secondary bolt if you want to lock the clam shell into a permanent position
- Can tilt, swivel, pull-out and rotate equipment 360° to virtually any position for optimal computer placement
- Extends 6" bringing equipment close to the user
- Designed to hold Gamber-Johnson computer docking stations or cradles in a vertical/tablet position

Item No. **7160-0396**



Very Well Connected™

3001 Borham Ave. | Stevens Point, WI 54481, USA
 Phone: 715.344-3482 | Toll-free: 800.487-9220 | Fax: 715.344-5209
 Email: gamberj@gamberjohnson.com | Website: www.gamberjohnson.com

Follow us on:

This document, including images, may not be reproduced partly or fully without the expressed written consent of Gamber-Johnson's Marketing Department.
 © Copyright 2013 Gamber-Johnson LLC