

DEFINING RUGGED

EXCEPTIONAL ENGINEERING | ROCK SOLID | EXTENSIVE TESTING

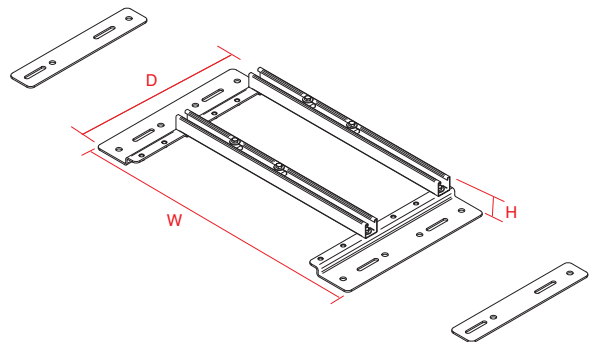
INTERNATIONAL 4300/7300 WORK TRUCK (2011-2013)

Placement	Seat Configuration	Drilling Required	Weight	Height	Width	Depth
Attaches to outboard driver and passenger side seat studs	Bucket	No - attaches to seat studs: <i>International 4300/7300 Work Truck (2011-2013)</i>	24.0 lbs	2.75"	63.5"	18.75"

Features:

- Heavy gauge steel construction for long-term durability
- Black powdercoat finish for maximum corrosion resistance
- Vehicle Base allows workstations, storage or console boxes to be mounted between the seats of the vehicle
- Three locations of strut channel mounting allows for various positions of equipment
- Compatible with air ride seats

Item No. **7160-0403**



Very Well Connected™

3001 Borham Ave. | Stevens Point, WI 54481, USA
Phone: 715.344-3482 | Toll-free: 800.487-9220 | Fax: 715.344-5209
Email: gamberj@gamberjohnson.com | Website: www.gamberjohnson.com

This document, including images, may not be reproduced partly or fully without the expressed written consent of Gamber-Johnson's Marketing Department. © Copyright 2013 Gamber-Johnson LLC