

DEFINING RUGGED

EXCEPTIONAL ENGINEERING | ROCK SOLID | EXTENSIVE TESTING

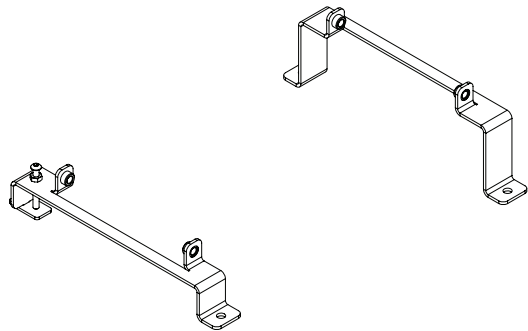
MCS VEHICLE LEG KIT: RAM 1500-5500 RETAIL MODELS (2011-2015) RAM 1500-5500 SSV MODELS (2012-2015)

Placement	Seat Configuration	Drilling Required	Weight
Attaches to the mounting points on the transmission hump	40/20/40 seat	No	2.0 lbs.

Features:

- Heavy gauge steel construction for long-term durability
- Black powdercoat finish for maximum corrosion resistance
- Legs attach to both short and long *MCS Top Plates* (Item No. 7160-0085 or 7160-0086)
- Legs are compatible with both the Retail and the Special Service (SSV) Models

Item No. **7160-0422**



Very Well Connected™

3001 Borham Ave. | Stevens Point, WI 54481, USA
Phone: 715.344-3482 | Toll-free: 800.487-9220 | Fax: 715.344-5209
Email: gamberj@gamberjohnson.com | Website: www.gamberjohnson.com

Follow us on:



This document, including images, may not be reproduced partly or fully without the expressed written consent of Gamber-Johnson's Marketing Department.
© Copyright 2012 Gamber-Johnson LLC