

DEFINING RUGGED

NEW

EXCEPTIONAL ENGINEERING | ROCK SOLID | EXTENSIVE TESTING

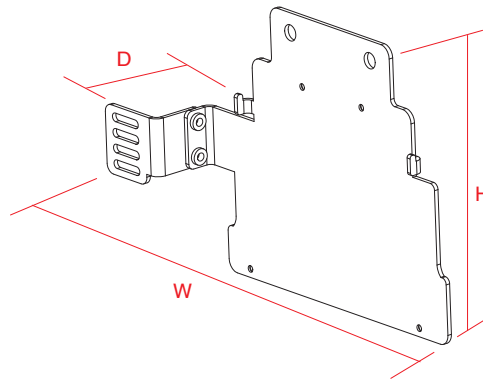
BROTHER RUGGEDJET MOUNT

Placement	Weight	Height	Width	Depth
Secures to the <i>Rack-to-Post Platform</i> (Item No. DS-74 or DS-74-L), any <i>Lower Pole, Vehicle Base</i> with a welded pole or onto any flat stable surface	0.6 lbs	4.88"	7.23"	1.16"

Features:

- Bracket allows the Brother RuggedJet™ RJ-4030 or RJ-4040 mobile printer to be mounted in a vertical or horizontal orientation
- Optional removable cable restraint
- Allows installation of paper roll while mounted
- Works with Brother's optional card reader
- This is not a quick release mount

Item No. **7160-0425**



3001 Borham Ave. | Stevens Point, WI 54481, USA
Phone: 715.344-3482 | Toll-free: 800.487-9220 | Fax: 715.344-5209
Email: gamberj@gamberjohnson.com | Website: www.gamberjohnson.com

This document, including images, may not be reproduced partly or fully without the expressed written consent of Gamber-Johnson's Marketing Department. © Copyright 2012 Gamber-Johnson LLC