

DEFINING RUGGED

EXCEPTIONAL ENGINEERING | ROCK SOLID | EXTENSIVE TESTING



MCS EXTERNAL PRINTER ARMREST:
 CHEVROLET CAPRICE PPV (2014)
 CHEVROLET TAHOE (2007-2014)
 DODGE CHARGER (2011-2014)
 DODGE DURANGO SSV (2012-2013)
 FORD SEDAN POLICE INTERCEPTOR (2012-2014)
 FORD UTILITY POLICE INTERCEPTOR (2012-2014)

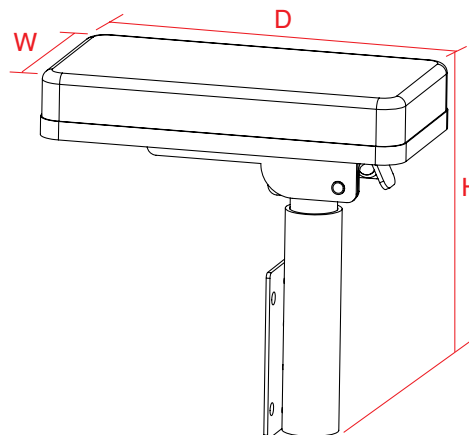
Placement	Weight	Height	Width	Depth
On the back of any <i>Chevrolet 2014 Caprice PPV Console Box (Item No. 7160-0521-00)</i> , <i>Chevrolet Tahoe Console Box (Item No. 7160-0435)</i> , <i>Dodge Charger Console Boxes (Item No. 7160-0326 or 7160-0353)</i> , <i>Dodge Durango SSV Console Box (Item No. 7160-0446)</i> or <i>Ford Sedan and Utility Police Interceptor Console Boxes (Item No. 7160-0410 or 7160-0412)</i>	6.1 lbs	10.25"	5.25"	10.0"

Features:

- Heavy gauge steel construction for long-term durability
- Black powdercoat finish for maximum corrosion resistance
- Sturdy for additional support
- Sleek, padded armrest flips up for convenience
- Attaches to any *Chevrolet 2014 Caprice PPV Console Box*, *Chevrolet Tahoe Console Box*, *Dodge Charger Console Box*, *Dodge Durango SSV Console Box* or *Ford Sedan and Utility Police Interceptor Console Box* via threaded PEM's and hardware

Note: This product is not compatible with the *Chevrolet Caprice Console Box (Item No. 7160-0378 or 7160-0379)*

Item No. 7160-0429



Very Well Connected™

3001 Borham Ave. | Stevens Point, WI 54481, USA
 Phone: 715.344-3482 | Toll-free: 800.487-9220 | Fax: 715.344-5209
 Email: gamberj@gamberjohnson.com | Website: www.gamberjohnson.com

Follow us on:

This document, including images, may not be reproduced partly or fully without the expressed written consent of Gamber-Johnson's Marketing Department.
 © Copyright 2013 Gamber-Johnson LLC