

RUGGED.

DOCKING STATIONS AND VEHICLE MOUNTS

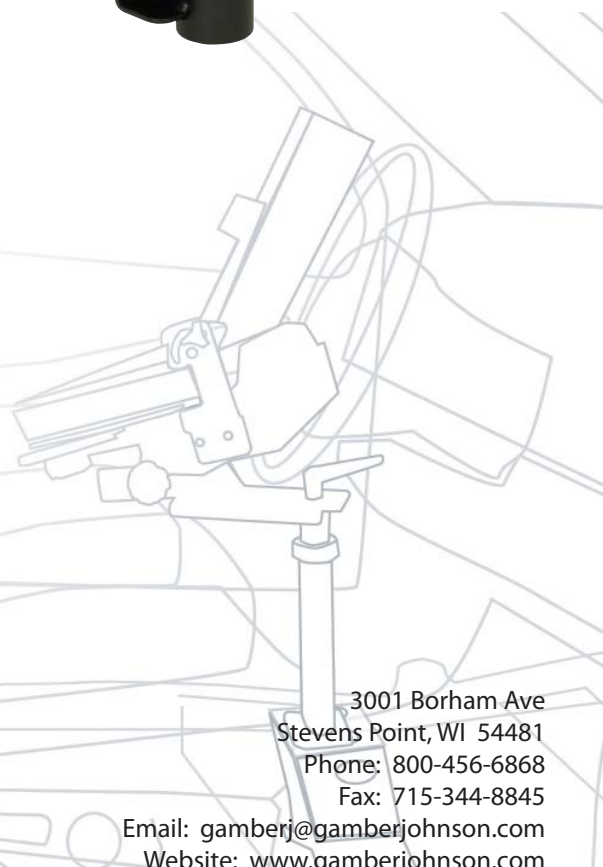
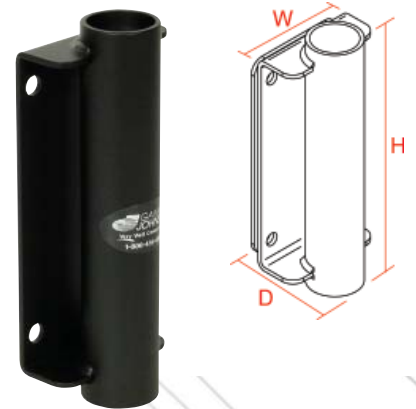
Universal Vertical Base

Placement	Seat Configurations	Drilling Required	Pole	Height Adjustability	Weight	Height	Width	Depth
Any flat, vertical surface	All	Yes - Backing plate provided for system strength	<i>Upper Pole</i> ordered separately (<i>Lower Tube</i> included with base)	Yes - overall 7.75" to 12.75" (depending on <i>Upper Pole</i> selected)	2.4 lbs	7.5"	1.25"	3.0"

Features

- Heavy gauge steel construction for long-term durability
- Black powdercoat finish for maximum corrosion resistance
- Ideal for mounting communication equipment to engine cover, consoles and "dog houses"

Item No. **DS-138**



3001 Borham Ave
Stevens Point, WI 54481
Phone: 800-456-6868
Fax: 715-344-8845

Email: gamberj@gamberjohnson.com
Website: www.gamberjohnson.com