

# RUGGED.

DOCKING STATIONS AND VEHICLE MOUNTS



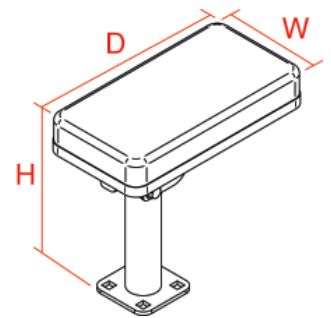
## MCS Heavy-Duty Armrest

Placement	Weight	Height	Width	Depth
On top of any <i>MCS Top Plate</i> (commonly used in fleet vehicles)	6.1 lbs	11.5"	5.25"	10.0"

### Features

- Heavy gauge steel construction for long-term durability
- Black powdercoat finish for maximum corrosion resistance
- Sturdy for additional support
- Height-adjustable
- Padded armrest flips up for convenience

**Item No.**      **MCS-ARMREST**



3001 Borham Ave  
Stevens Point, WI 54481  
Phone: 800-456-6868  
Fax: 715-344-8845

Email: [gamberj@gamberjohnson.com](mailto:gamberj@gamberjohnson.com)  
Website: [www.gamberjohnson.com](http://www.gamberjohnson.com)