

SV-LED70WP4 RUGGED, IP68, 7 INCH MONITOR/CONTROLLER



The SV-LED70WP4 is a rugged, 7" video monitor designed to withstand the demanding shock and vibration requirements of in-vehicle monitoring. In addition to its high impact rating, the SV-LED70WP4 is IP68 rated to protect your investment against dust, water and other environmental contaminants. The high contrast screen includes an integrated control box with multiple display options, auto day/night switching, parking distance markers and more to establish the SV-LED70WP4 as the ideal monitoring solution for fleet vehicles.

SPECIFICATIONS

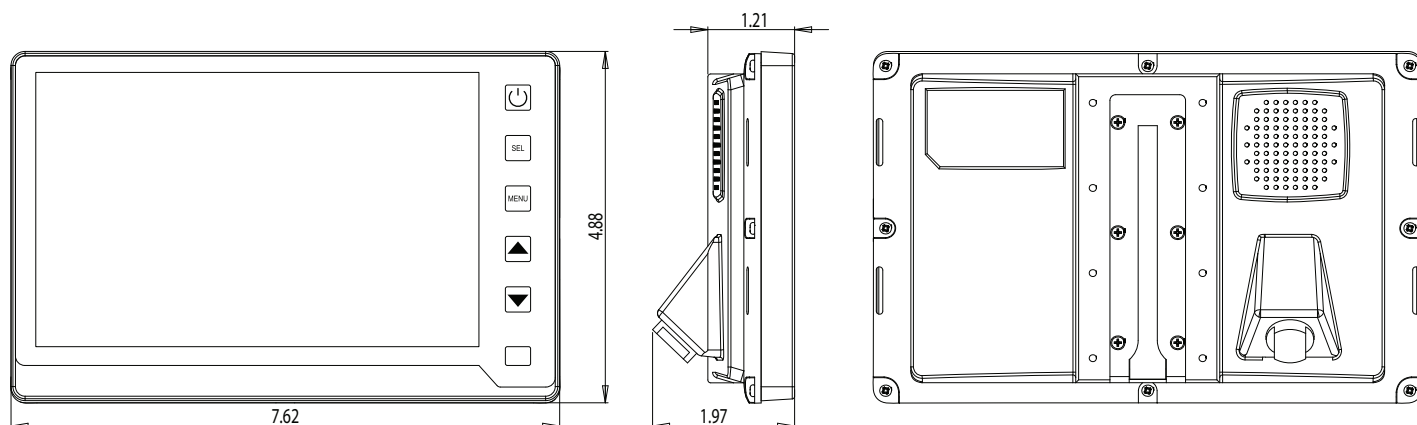
SV-LED70WP4 Monitor

| | |
|------------------------|---------------------------------------------------------------------------------------|
| LED System | 7-inch |
| Video System | NTSC/PAL |
| Display Mode | Single/Split/Triple/PiP/Quad |
| OSD Controls | Day/Night Sensor, Bright, Contrast, Color, Tint, Mirror/Normal, Day/Night Mode, Scale |
| Aspect Ratio | 16:9 |
| Resolution | 800 (H) x 480 (V) |
| Impact Rating | 7G |
| I.P. Factor | IP 68 |
| Power Requirement | 10 - 32 VDC |
| Power Consumption | 30W Maximum |
| Operating Temperature | -22°F ~ 167°F (-30°C ~ 75°C) |
| Dimensions (w x h x d) | 7.6 in. x 4.8 in. x 1.2 in. (194 mm x 124 mm x 31.5 mm) |
| Weight | 1.6 lb. (0.72 kg) |

When the vehicle starts or is placed in reverse, the system activates. With the camera's built-in microphone, people behind the vehicle can communicate directly with you alerting you to possible hazards.

Features

- Water Resistant (IP68)
- Auto NTSC/PAL detection
- Auto day/night detection
- Adjustable speed switch
- Vandal resistant (Al housing)
- Support various divide modes
- Parking distance marker settings
- Capacitive touch key
- Multi-functional camera support: Normal/Shutter/Tilt



6100 W. Sam Houston Pkwy. N.

Houston, TX 77041-5113

Main: 713.896.6600 | Toll Free: 800.880.8855 | Fax: 713.896.6640

SV-LED70WP4

www.safetyvision.com

**SAFETY
VISION®**