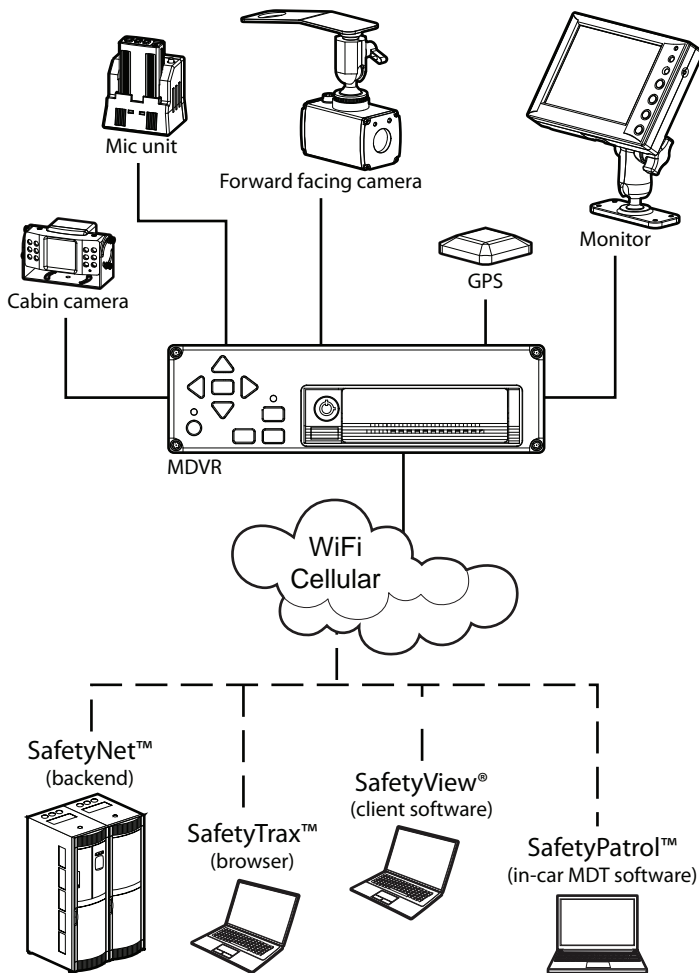


# ROUTERECORDER® 4C

## MOBILE DIGITAL VIDEO RECORDER



The RouteRecorder® 4C is a compact and rugged digital video recording solution that supports four cameras for extended viewing coverage. It records high quality digital video on a mobile-rated removable hard drive.



### Real Time Video

The compact mobile video recorder supports four cameras and can record and playback simultaneously giving you instant access to video. Unlike other video recorders, this system supports incoming and outgoing video feeds so you can display educational video clips to students.

### GPS Mapping

With optional GPS positioning, speed tracking and recording, the RouteRecorder 4C reliably tracks vital information for each recorded event. The Safety Vision viewer software enables you to see a map of the location as you playback the video.

### Easy Data Retrieval

Conveniently retrieve data by removing the drive or by using the built-in FTP server to remotely retrieve files to your main storage server. With a virtually hands-off interface, it is easy to use with little to no maintenance required.

### Features

- Designed to operate in high-vibration environments, yet reliably records data on a 2.5-inch mobile-rated hard drive
- Panic button to mark events for easy searching and identification with search capability up to 98x fast and forward review
- Password-protected user interface with an integrated locking removable drive bay, eliminating the need for an external lock box

# ROUTERECORDER® 4C

## MOBILE DIGITAL VIDEO RECORDER

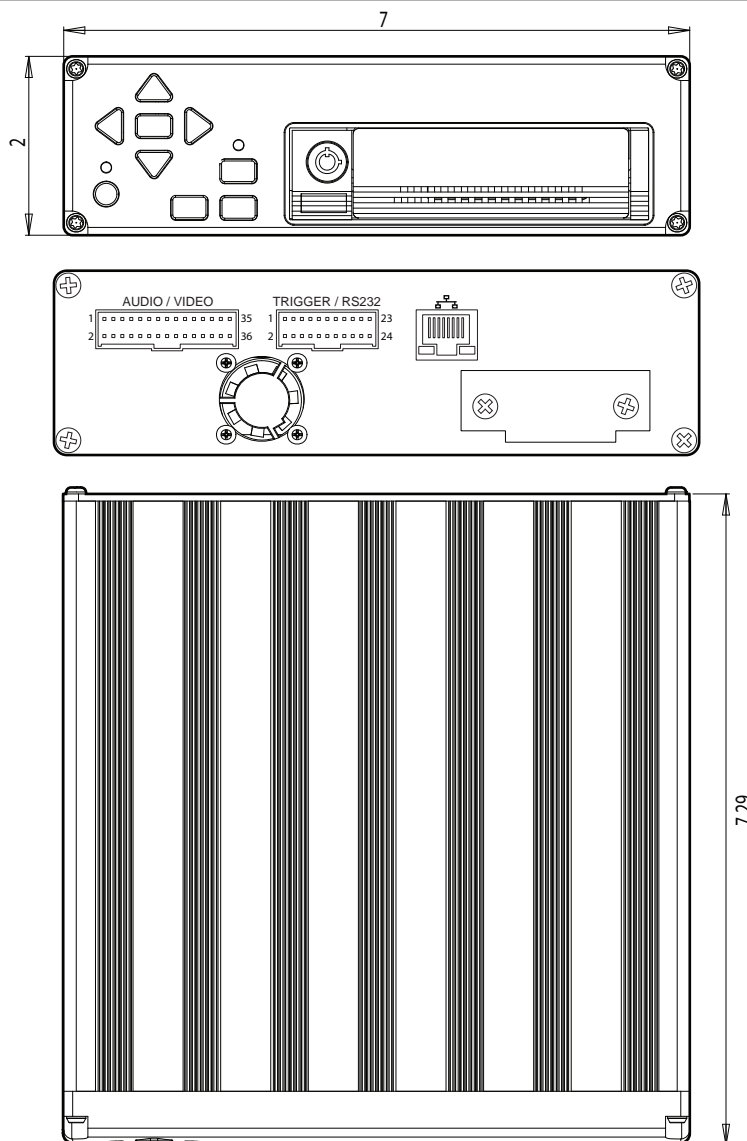
### SPECIFICATIONS

#### SV-RouteRecorder® 4C MDVR

Video Signal	4 channel NTSC Standard
Frames Per Second (fps)	Selectable 30 fps to 1 fps
Audio Input	4 analog audio channels
Video Signal Output	1 NTSC; live, playback or advertising
Resolution	D1, VGA, 1/4 D1 or 1/4 VGA; camera selectable
Maximum Storage Capacity	500 GB removable hard drive
External Trigger Inputs	7 input triggers plus the ignition trigger
Operating Vibration	1G at 5-500 Hz hard drive model
Power Supply	8-24V DC
Off Power Consumption	< 10 mA
Operating Temperature	41°F ~ 131°F (5°C ~ 55°C)
Dimensions (w x h x d)	7 in. x 2 in. x 8 in. (178 mm x 51 mm x 203 mm)
Weight	5.3 lbs. (2.4 kg)

#### Estimated Record Time (4 cameras simultaneous)

Archive Media	Total FPS	Medium Compression
500 GB Hard Drive	120	370 hours
500 GB Hard Drive	60	740 hours



### OPTIONAL ACCESSORIES

SV-MIC3	Interior microphone
GPS	GPS antenna

### COMPATIBLE PRODUCTS

SV-640EXW	Exterior side-mount wedge camera
SV-830W	Interior day/night dome camera
SV-830D	Interior day/night wedge camera

### Warranty Agreement

Safety Vision's standard warranty for new items is one year. Extended warranties and advance replacement agreements also are available. Ask your sales or customer service representative for details.

6100 W. Sam Houston Pkwy. N.

Houston, TX 77041-5113

Main: 713.896.6600 | Toll Free: 800.880.8855 | Fax: 713.896.6640